

Lamina®

CATALOG

| 2020

Edison Medical

By Ritter Implants

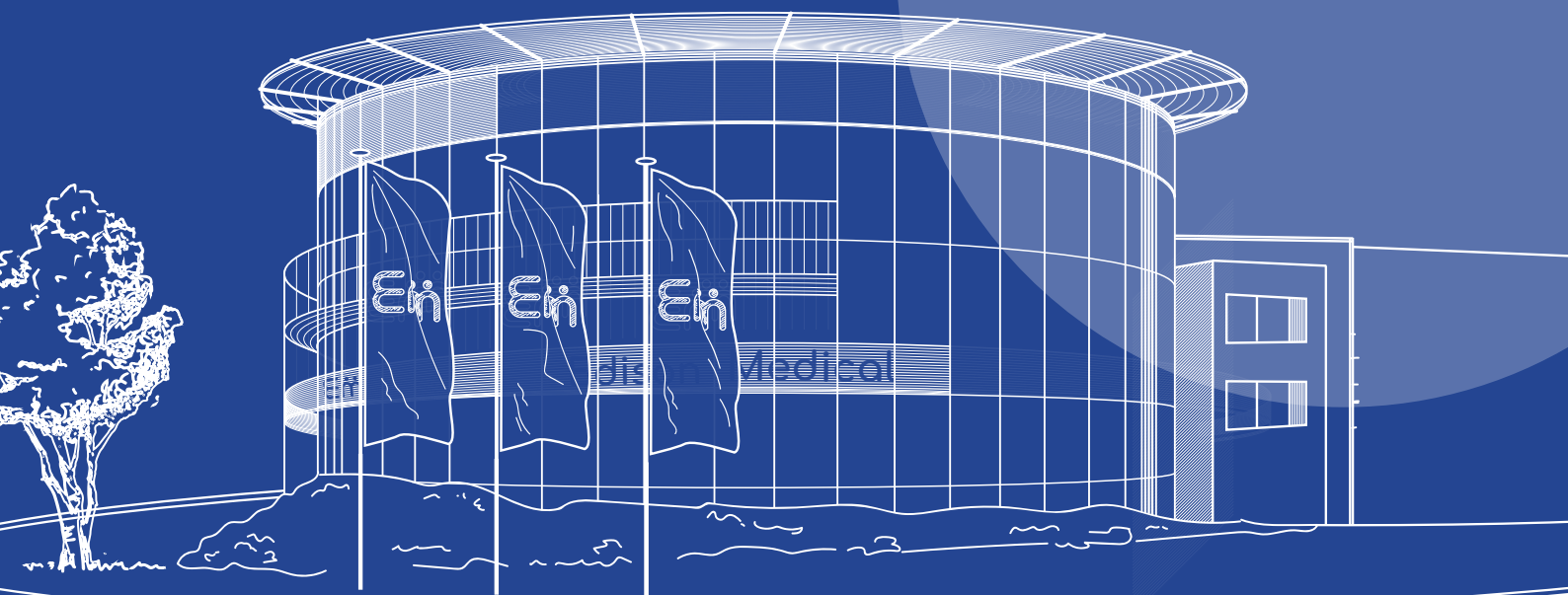


Table of Content.



| **Lamina® RP 3.5 Internal Hex.**

9 - 15

Implant's Characteristics	9
Implant's Surface	10
Packaging & Labeling	11
Implant Dimensions	13
Recommended Tightening Torque	14
Drilling Protocol	15



| **Impression & Lab Components.**

16 - 19

Lab Analogs	17
Impression Copings	18
Castable & UCLA Abutments	19



| **Dental Abutments.**

20 - 27

Healing Abutments	21
Temporary Abutments	22
Titanium Abutments	23
Zirconia Abutments	27



| **Clicq™ Pression Transfer Abutments.**

28 - 33

Professional & Starter Kit	30
Straight Abutments	31
Angled Abutments	32
Components	33



| **Pop-Clicq™ Overdenture Attachments.**

34 - 41

Professional Kit	36
Mini Kits	37
Components	38
Pop-Clicq™ - Bar	39
Bar Components	40



| **Q-Clicq™ Overdenture Attachments.**

42 - 47

Professional Kit	44
Mini Kit	45
Components	47



| **Ball Attachment.**

48 - 49

Standard Kit & Components.....	49
--------------------------------	----



| Multi-Clicq™ On-X.

50 - 59

Professional & Starter Kit	52
Single Unit & Mini Kits	53
Components	56
Clicq™ - Multi Bar	58
Bar Components	59



| Digital Dentistry.

60 - 87

Scan Abutments & Pre-Milled Blank	61
---	----

Uni-Base™ - One Piece Ti-Base

62 - 67

Characteristics	63
Professional Kit	64
Straight Titanium Bases	65
Angled Titanium Bases	66
Uni-Base™ Shape - Angled Titanium Bases	67

Clicq-Base™ - 2 Piece Ti-Base

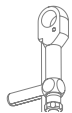
68 - 81

Introduction	69
Connection	70
Step by Step - Anterior	71
Step by Step - Posterior	73
Professional Kit	75
Lab Kit	76
Straight Titanium Bases	77
Angled Titanium Bases	78
Components	79

Clicq-Multi Base™ - On-X

82 - 87

Step by Step	84
Clicq Multi Base™ Bar Adapter	87



| Surgical Instruments.

88 - 94

Gauge Indicators	89
Surgical Tool Box	90
Drills / Burs / Stoppers	91
Implant Drivers	92
Screwdrivers	93
Ratchet / Ratchet Adapter / Parallel Pin	94



LET'S MAKE
SOMEONE SMILE.

Our Story.

Our company was founded on the premise that the dental implant market could be simplified - In the early professional years of the founder, he discovered that the overwhelming amount of implant options was a source of confusion and complication for many professionals. Realizing that there was no single source to turn to that satisfied all the brand and implant system options, the founder was driven to fill that void with an entirely new concept. Rather than create a marketplace for all brands where so many of the same inherent problems that come with too many options would continue to exist, a new vision was carried out. Edison Medical was created to serve as an in-house production of a range of products that are exclusively distributed by the online platform dibay. Together the two companies are simplifying the implant market for professionals by creating the highest quality products with compatibility across multiple platforms, and costing significantly less than the competition.

Quality

Quality is a cornerstone of the Edison Medical philosophy, and a great deal of resources are invested ensuring that it is maintained to the highest standard. Our German-based production sources the finest quality raw materials, employs meticulous methods of quality control and product testing, and collaborates regularly with our R&D team to push the creative process and continue to release new and innovative designs. All of our products are regulated by a number of governing bodies.

Vision

Goals and visions are what perpetually drive a company forward and help keep focus. We at Edison Medical aim to be the worldwide leader in online dental implant solutions. We are devoted to building and maintaining active relationships with our clients to improve and simplify their practices and workflows.

Check Out Our Fresh New Look.

We decided it was time for Edison to get a well-deserved makeover.

(Deserved for you and for us!)

Our new catalog is designed to be intuitive,
easy to navigate and user friendly.

**Have a look around,
& welcome to the new Edison.**



Implant Characteristics



Platform Switching

Prevent crestal bone loss, which is fundamental for long-term success and stability. It increases the volume of soft tissue around the implant platform, helping to improve the aesthetic final result. As well reduces the amount of stress transferred from the abutment to the bone.



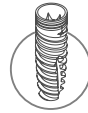
Initial Stability

Progressive threads with compression properties and drilling blades on the apex enable to adjust the implant position during placement.



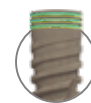
Cutting Edges

There are two helix cutting blades that extend to the middle of the implant. This self tapping behavior of the implant allows a smooth penetration with minimal bone destruction. The rounded implant apex reduces the risk of bone / sinus / nerve perforation



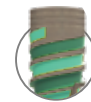
Simplicity!

One implant design various connections



Micro Rings

Tapered coronal design and micro rings designed to reduce bone stress and minimize bone resorption to tissue volume.



Dual Threads

Tapered implant body & core with dual threads and optimal pitch of 1.0mm for faster implant insertion with better stability.



Safe Insertion

Curved passive apex allows safe implant insertion without the risk of damage to the surrounding.



Implant Surface

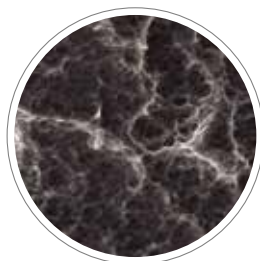
Implant Surface

The relationship of an implant's surface to the osteotomy site is a crucial determining factor in the implant's mechanical stability. Surface roughness affects osseointegration potential, and can be achieved by either chemical (acid etching) or mechanical (particle blasting) treatment. Proper roughness will in turn provide a microsurface that minimizes osseointegration time and maximizing likelihood of implant success. The microsurface of an implant can also be modified at the nano level to create a hydrophilic and osteoconductive surface, promoting better osseointegration by way of active ion interaction with blood plasma. Macrogeometry of the implant's surface also plays a fundamental role in implant success, with thread pattern and thread pitch affecting the quantity of bone around the implant and the degree of bone apposition onto the implant threads.

Regarding material composition of implants, there has been a range of metallic materials historically used in medical and dental applications. However, titanium's suitability for a variety of surface treatments, along with its light-weight, high strength, corrosion-resistant and highly biocompatible properties make it the ideal metallic element that is most widely used for dental implant production.

Edison Medical uses a unique process of large-grit sandblasting to prepare primary surface roughness, followed by acid-etching (SLA) to clear residual sandblast particles and generate a secondary roughness. The resulting micro- and nano-surface structures are optimal for bone adhesion and maximized success rate of each implant.

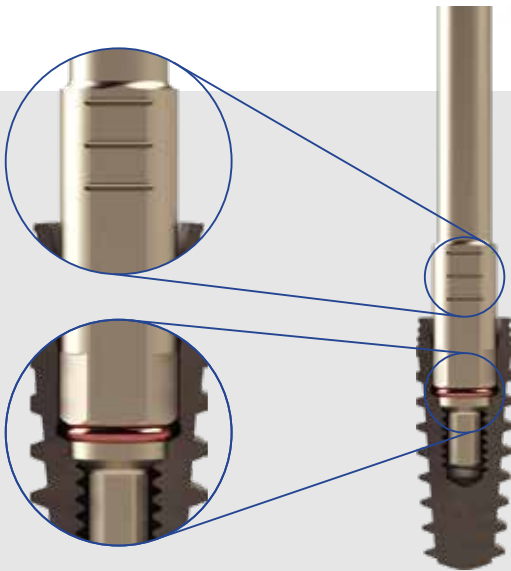
Implant Micro Surface



TI 6AL 4V-ELI Titanium Alloy for Implants
Made in Germany

Packaging & Labeling

Implants sit inside of a titanium sleeve that is located in a plastic tube. Implants are mountless in their packaging, facilitating easy pick-up with any driver. The durable plastic outer packaging serves as protective housing.



Recommended insertion torque:
 \varnothing 3.5mm 35-50 NCM / \varnothing 4.2-5.0mm 35-60 NCM.
Procedure recommended by Ritter Implants cannot replace the judgment and professional experience of the surgeon. Adequate bone is needed to support the implant with width and height being the primary dimensions of concern. In situations of torque levels lower than 30 NCM an unloaded healing period of 4-6 months is recommended to enable osseointegration.

- Manual insertion by a driver or ratchet



- Contra-angle insertion by a motor



Packaging & Labeling

Our packaging was designed to catch your eye and be smooth to the touch. Everything is clearly labeled and color coded for ease of use and identification purposes. High quality materials are used to ensure your product arrives to you in the same condition in which it left the production facility.



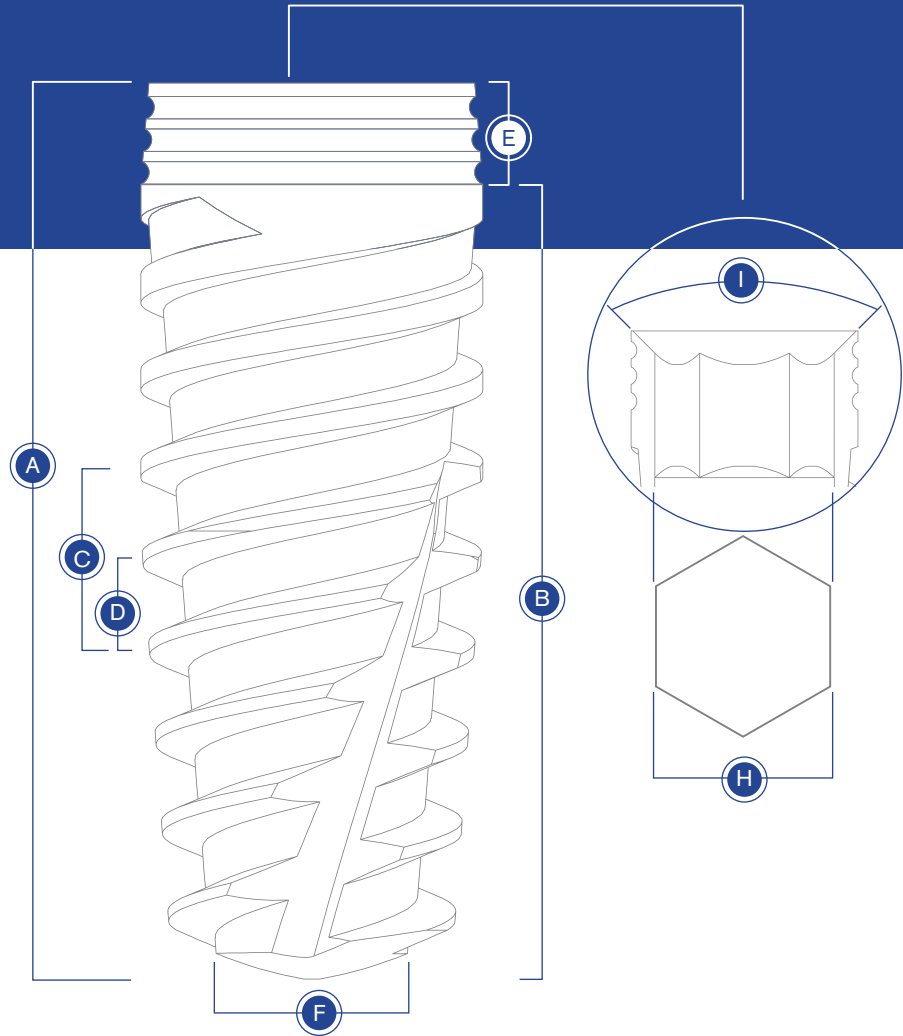
Prosthetics Packaging and Labeling



Implant- Dimensions



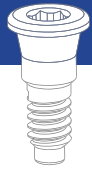
Anodized & color coded
Implant connection for
easy identification.



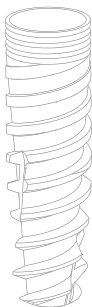
Implant Diameter	A Overall Height	B Thread Height	C Thread Pitch	D Thread Spacing	E Collar Height	F Tip Diameter	H Hex Size	I Platform Angle
Ø 3.5 mm								
8	8	6.8	2.2	1.1	1.2	2.1	2.43	90°
10	9.5	8.3	2.2	1.1	1.2	2.1	2.43	90°
11.5	11	9.8	2.2	1.1	1.2	2.1	2.43	90°
13	12.5	11.3	2.2	1.1	1.2	2.1	2.43	90°
15	14.5	13.3	2.2	1.1	1.2	2.1	2.43	90°
Ø 4.2 mm								
8	8	6.8	2.2	1.1	1.2	2.7	2.43	90°
10	9.5	8.3	2.2	1.1	1.2	2.7	2.43	90°
11.5	11	9.8	2.2	1.1	1.2	2.7	2.43	90°
13	12.5	11.3	2.2	1.1	1.2	2.7	2.43	90°
15	14.5	13.3	2.2	1.1	1.2	2.7	2.43	90°
Ø 5.0 mm								
6	6.5	5.3	2.2	1.1	1.2	3.2	2.43	90°
8	8	6.8	2.2	1.1	1.2	3.2	2.43	90°
10	9.5	8.3	2.2	1.1	1.2	3.2	2.43	90°
11.5	11	9.8	2.2	1.1	1.2	3.2	2.43	90°
13	12.5	11.3	2.2	1.1	1.2	3.2	2.43	90°

All dimensions in millimeters

Recommended Tightening Torque



Cover Screw
8-10 NCM



Ø 3.5mm
35-50 NCM

Ø 4.2/5.0 mm
35-60 NCM

Titanium Healing Abutments:

10-15 NCM



Temporary Titanium Abutments:

20 NCM



Titanium / Peek / Zirconia Abutments:

30 NCM Straight/Angled



Pop-Clicq™ Overdenture Abutments:

30 NCM Straight/Angled



Multi-Clicq™ - Multi-Unit Abutments:

30 NCM Straight/Angled



Multi Unit Components:

22 NCM



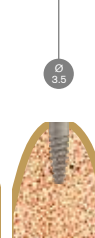


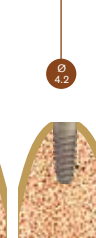




Lamina® RP 3.5 Internal Hex Drilling Protocol

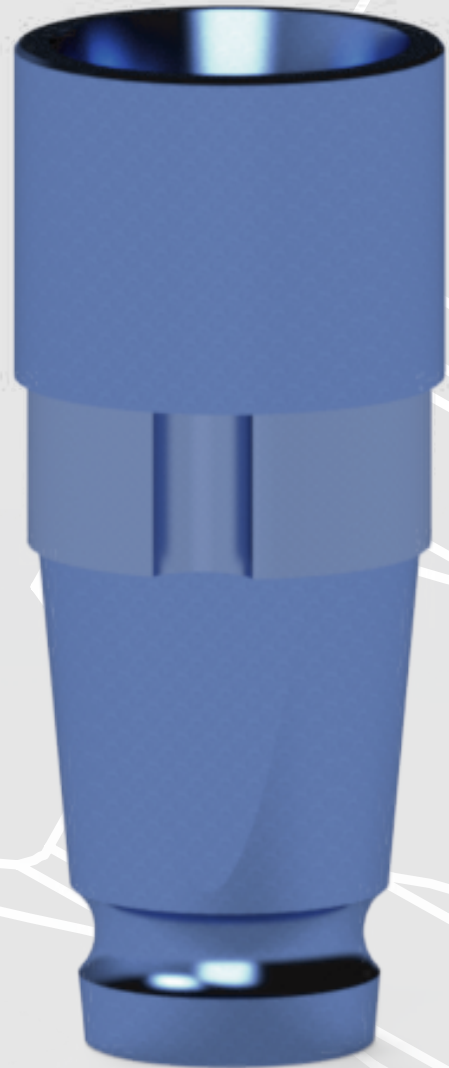


	3.5mm	4.2mm	5.0mm
			
L	REF	REF	REF
6.5mm			LM-SV-RP5006
8mm	LM-SV-RP3508	LM-SV-RP4208	LM-SV-RP5008
10mm	LM-SV-RP3510	LM-SV-RP4210	LM-SV-RP5010
11.5mm	LM-SV-RP3511	LM-SV-RP4211	LM-SV-RP5011
13mm	LM-SV-RP3513	LM-SV-RP4213	LM-SV-RP5013
15mm	LM-SV-RP3515	LM-SV-RP4215	

Drilling Procedure

	For all Bone Types					For all Bone Types		I+II Bone Types		I+II Bone Types	
Ø 5.0	For all Bone Types	For all Bone Types	For all Bone Types	For all Bone Types	For all Bone Types	I+II Bone Types	I+II Bone Types	I+II Bone Types	I+II Bone Types	I+II Bone Types	I+II Bone Types
Ø 4.2	For all Bone Types	For all Bone Types	For all Bone Types	For all Bone Types	For all Bone Types	I+II Bone Types	I+II Bone Types				
Ø 3.5	For all Bone Types	For all Bone Types	For all Bone Types	I+II Bone Types	I+II Bone Types						
RPM	1200-1500	900-1200	500-700	400-700	200-500	300-500	200-500	300-500	200-500		
Drills Diameter Ø(mm)	2.0 Lance Drill	2.4	2.7	3.1	3.5	3.7	4.2	4.4	5.0		
											

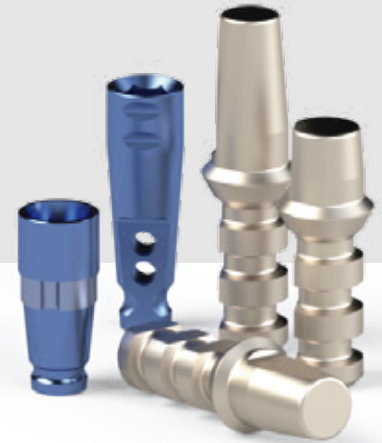
1



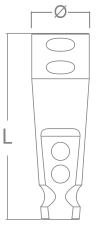

Impression & Lab Components

- Lab Analogs
- Impression Copings
- Castable & UCLA Abutments

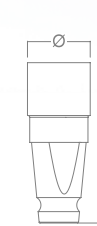

Lab Analogs



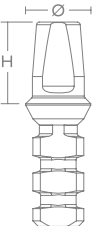

Titanium Implant Analog

	
L	12.3 mm
Ø	3.8 mm
REF	IA-SV-RP
Web ID	2110111-271

Digital Implant Analog

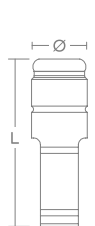

	
L	9 mm
Ø	4 mm
REF	DIA-SV-RP
Web ID	2110115-271

Clicq™ Pression - Abutment Analog

	
H	4 mm 6 mm 8 mm
Ø	4.8 mm 4.8 mm 4.8 mm
REF	TAP-AN-S TAP-AN-M TAP-AN-L
Web ID	4120011 4120021 4120031



See Page - 33

Pop-Clicq™ - Abutment Analog

	
L	12 mm
Ø	4.1 mm
REF	LOCW-AN
Web ID	4210011

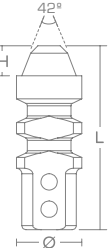

See Page - 38

Q-Clicq™ Abutment Analog

	
L	12.3 mm
Ø	4 mm
REF	LOCN-AN
Web ID	4190011

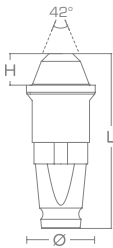

See Page - 47

Multi-Clicq™ - Abutment Analog

	
L	13.5 mm
H	2.2 mm
Ø	4.8 mm
REF	MUL-KS-AN
Web ID	4410111

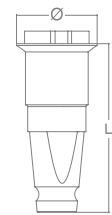

See Page - 56

Multi-Clicq™ - Digital Analog

	
L	12 mm
H	2.2 mm
Ø	4.8 mm
REF	MUL-KS-DAN
Web ID	4410115

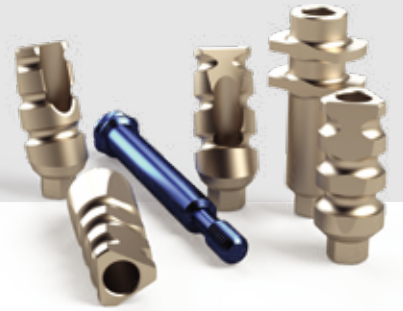
See Page - 56

Clicq-Base™ - Digital Analog

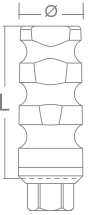

	
L	10 mm
Ø	4.5 mm
REF	TBK-AN
Web ID	4130011

See Page - 79

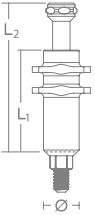

Impression Copings





Closed Tray Impression Coping

	
L	8.5 mm 11.5 mm
Ø	4 mm 4 mm
REF	CT-SV-RPSN CT-SV-RPLN
Web ID	2110131-271 2110132-271



Open Tray Impression Coping

	
L1/L2	12.3 / 18 mm
Ø	3.8 mm
REF	OT-SV-RPN
Web ID	2110141-271

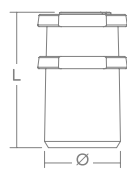

Angled Closed Tray 15°

	
L	9 mm
Ø	4.4 mm
REF	ACTT-SV-RP1500
Web ID	2110121-271

Angled Closed Tray 25°

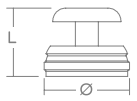

	
L	9 mm
Ø	4.4 mm
REF	ACTT-SV-RP2500
Web ID	2110122-271

Clicq™ PreSSION - Closed Tray Plastic Transfer

	
L	10 mm
Ø	5.6 mm
REF	TAP-PT
Web ID	4120061

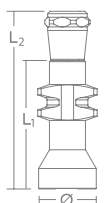

See Page - 33

Pop-Clicq™ - Pick-Up Impression Transfer

	
L	4.5 mm
Ø	5.65 mm
REF	LOCW-PU
Web ID	4210021

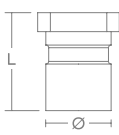

See Page - 38

Multi-Clicq™ - Open Tray Transfer

	
L1/L2	10.7 / 14.7 mm
Ø	4.8 mm
REF	MUL-KS-OTUG
Web ID	4430151

See Page - 56

Multi-Clicq™ - Closed Tray Plastic Transfer




	
L	7.2 mm
Ø	4.8 mm
REF	MUL-KS-PUPUG
Web ID	4430141

See Page - 56

Castable & UCLA

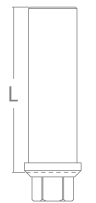


Abutments

Cobalt Chrome Abutment / UCLA

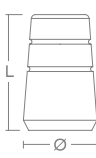


		
	<p>Anti Rotational</p>	<p>Rotational</p>
L	10.5 mm	10.5 mm
Ø	4.5 mm	4.5 mm
REF	ABZ-SV-RPCC	ABZ-SV-RPCCR
Web ID	2110146-271	2110147-271



Plastic Castable Abutment

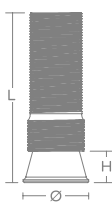


		
	<p>Anti Rotational</p>	<p>Rotational</p>
L	10.8 mm	10.8 mm
Ø	4.7 mm	4.7 mm
REF	PAC-SV-RP	PAC-SV-RPR
Web ID	2110148-271	2110149-271

Clicq™ Pression - Waxing Sleeve

		
	<p>Anti Rotational</p>	<p>Rotational</p>
L	8.5 mm	8.5 mm
Ø	4.6 mm	4.6 mm
REF	TAP-WS	TAP-WSR
Web ID	4120051	4120056

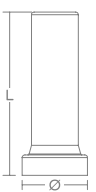


See Page - 33

Multi-Clicq™ - Cobalt Chrome UCLA

		
	<p>Anti Rotational</p>	<p>Rotational</p>
L	12.5 mm	
H	2.3 mm	
Ø	4.8 mm	
REF	MUL-KS-SLVCCUG	
Web ID	4430181	

See Page - 56

Multi-Clicq™ - Castable Plastic Sleeve

		
	<p>Anti Rotational</p>	<p>Rotational</p>
L	12 mm	
Ø	4.8 mm	
REF	MUL-KS-SLVPSUG	
Web ID	4430191	

See Page - 56

2

Dental Abutments

- Healing Abutments
- Temporary Abutments
- Titanium Standard Abutments
- Titanium Anatomic Abutments
- Zirconia Abutments

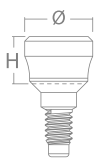



Healing Abutments

Titanium Healing Abutment H 3mm

				
H	3 mm	3 mm	3 mm	3 mm
Ø	3.8 mm	4.5 mm	5.5 mm	6.3 mm
REF	HA-SV-RP30N	HA-SV-RP30	HA-SV-RP30W	HA-SV-RP30EW
Web ID	2110151-271	2110152-271	2110153-271	2110154-271



Concave Ti-Healing Abutment

	
L	3 mm
Ø	4.5 mm
REF	HAC-SV-RP30
Web ID	2110171-271

Titanium Healing Abutment H 5mm

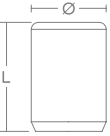



				
H	5 mm	5 mm	5 mm	5 mm
Ø	3.8 mm	4.5 mm	5.5 mm	6.3 mm
REF	HA-SV-RP50N	HA-SV-RP50	HA-SV-RP50W	HA-SV-RP50EW
Web ID	2110161-271	2110162-271	2110163-271	2110164-271

Concave Ti-Healing Abutment



	
L	5 mm
Ø	4.5 mm
REF	HAC-SV-RP50
Web ID	2110172-271

Clicq™ Pression - Healing Cap

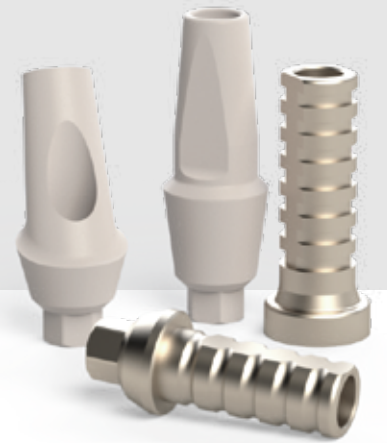
Medical Peek - Classix

			
L	6 mm	8 mm	10 mm
Ø	5.5 mm	5.5 mm	5.5 mm
REF	TAP-HA-S	TAP-HA-M	TAP-HA-L
Web ID	4120041	4120042	4120043

Multi-Clicq™ - Healing Cap

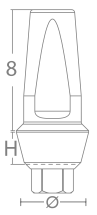

	
L	5.2 mm
Ø	4.8 mm
REF	MUL-KS-HAUG
Web ID	4430131

Temporary Abutments



Temporary Peek - Straight Abutment

Medical Peek - Classix

H	1 mm	2 mm	3 mm	4 mm
Ø	4.8 mm	4.8 mm	4.8 mm	4.8 mm
REF	PA-SV-RP10	PA-SV-RP20	PA-SV-RP30	PA-SV-RP40
Web ID	2110191-271	2110192-271	2110193-271	2110194-271

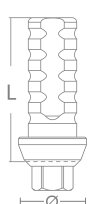

Temporary Peek - Anatomic Angled Abutment -15°

Medical Peek - Classix




L	9 mm	10 mm	11 mm
H	1 mm	2 mm	3 mm
Ø	5 mm	5 mm	5 mm
REF	PAA-SV-RP1510	PAA-SV-RP1520	PAA-SV-RP1530
Web ID	2110211-271	2110212-271	2110213-271

Temporary Titanium Abutment

L	9.5 mm	9.5 mm
Ø	4.5 mm	4.5 mm
REF	TTA-SV-RP	TTA-SV-RPR
Web ID	2110181-271	2110182-271

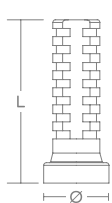

Temporary Peek - Anatomic Angled Abutment -25°

Medical Peek - Classix




L	9 mm	10 mm	11 mm
H	1 mm	2 mm	3 mm
Ø	5 mm	5 mm	5 mm
REF	PAA-SV-RP2510	PAA-SV-RP2520	PAA-SV-RP2530
Web ID	2110221-271	2110222-271	2110223-271

Multi-Clicq™ - Temporary Titanium Sleeve

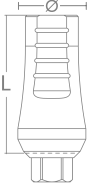






L	12 mm
Ø	4.8 mm
REF	MUL-KS-SLVTIUG
Web ID	4430211




See Page - 57

Titanium Standard Abutments

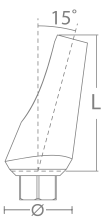



Standard Straight Abutment

			
L	9 mm	12 mm	15 mm
Ø	4.5 mm	4.5 mm	4.5 mm
REF	SA-SV-RP9	SA-SV-RP12	SA-SV-RP15
Web ID	2110233-271	2110234-271	2110235-271




Wide Straight Abutment

		
L	9 mm	12 mm
Ø	5.5 mm	5.5 mm
REF	SA-SV-RP9W	SA-SV-RP12W
Web ID	2110241-271	2110242-271

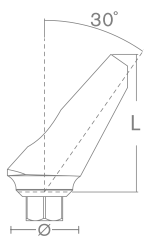

Angled Abutment 15°

			
L	9 mm	9 mm	11.5 mm
Ø	3.8 mm	4.8 mm	4.8 mm
REF	TA-SV-RP1500N	TA-SV-RP1500	TA-SV-RP1500L
Web ID	2110261-271	2110262-271	2110263-271




Angled Abutment 25°

		
L	9 mm	11.5 mm
Ø	4.9 mm	5 mm
REF	TA-SV-RP2500	TA-SV-RP2500L
Web ID	2110266-271	2110267-271

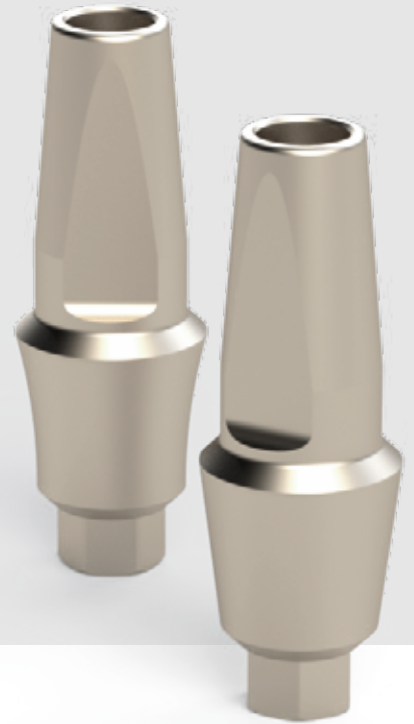
Angled Abutment 30°

	
L	9 mm
Ø	5 mm
REF	TA-SV-RP3500
Web ID	2110268-271

Slim Straight Abutment

		
L	7 mm	9 mm
Ø	3.8 mm	3.8 mm
REF	SSA-SV-RP7	SSA-SV-RP9
Web ID	2110252-271	2110253-271

Titanium Abutments



Straight Abutment W/Shoulder

H	1 mm	2 mm	3 mm	4 mm	
Ø	4.8 mm	4.8 mm	4.8 mm	4.8 mm	
REF	TA-SV-RP10	TA-SV-RP20	TA-SV-RP30	TA-SV-RP40	
Web ID	2110271-271	2110272-271	2110273-271	2110274-271	


Concave Straight Abutment W/Shoulder

H	1 mm	2 mm	3 mm	4 mm	
Ø	4.8 mm	4.8 mm	4.8 mm	4.8 mm	
REF	TAC-SV-RP10	TAC-SV-RP20	TAC-SV-RP30	TAC-SV-RP40	
Web ID	2110281-271	2110282-271	2110283-271	2110284-271	

Anatomic Abutments


Titanium Abutments

Anatomic Straight Abutment W/Shoulder




H	1 mm	2 mm	3 mm	4 mm
L	9.4 mm	10.4 mm	11.4 mm	12.4 mm
Ø	5 mm	5 mm	5 mm	5 mm
REF	TAA-SV-RP10	TAA-SV-RP20	TAA-SV-RP30	TAA-SV-RP40
Web ID	2110291-271	2110292-271	2110293-271	2110294-271

Anatomic Angled Abutment W/Shoulder 15°



H	1 mm	2 mm	3 mm	4 mm
L	9.4 mm	10.4 mm	11.4 mm	12.4 mm
Ø	5 mm	5 mm	5 mm	5 mm
REF	TAA-SV-RP1510	TAA-SV-RP1520	TAA-SV-RP1530	TAA-SV-RP1540
Web ID	2110321-271	2110322-271	2110323-271	2110324-271

Anatomic Angled Abutment W/Shoulder 25°




H	1 mm	2 mm	3 mm	4 mm
L	9.4 mm	10.4 mm	11.4 mm	12.4 mm
Ø	5 mm	5 mm	5 mm	5 mm
REF	TAA-SV-RP2510	TAA-SV-RP2520	TAA-SV-RP2530	TAA-SV-RP2540
Web ID	2110341-271	2110342-271	2110343-271	2110344-271

Anatomic Abutments


Concave Titanium Abutments

Anatomic Concave Straight Abutment W/Shoulder




H	1 mm	2 mm	3 mm	4 mm
L	9.4 mm	10.4 mm	11.4 mm	12.4 mm
Ø	5 mm	5 mm	5 mm	5 mm
REF	TAAC-SV-RP10	TAAC-SV-RP20	TAAC-SV-RP30	TAAC-SV-RP40
Web ID	2110311-271	2110312-271	2110313-271	2110314-271

Anatomic Concave Angled Abutment W/Shoulder 15°



H	1 mm	2 mm	3 mm	4 mm
L	9.4 mm	10.4 mm	11.4 mm	12.4 mm
Ø	5 mm	5 mm	5 mm	5 mm
REF	TAAC-SV-RP1510	TAAC-SV-RP1520	TAAC-SV-RP1530	TAAC-SV-RP1540
Web ID	2110331-271	2110332-271	2110333-271	2110334-271

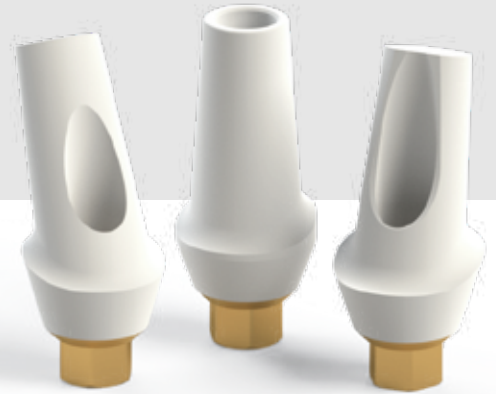
Anatomic Concave Angled Abutment W/Shoulder 25°



H	1 mm	2 mm	3 mm	4 mm
L	9.4 mm	10.4 mm	11.4 mm	12.4 mm
Ø	5 mm	5 mm	5 mm	5 mm
REF	TAAC-SV-RP2510	TAAC-SV-RP2520	TAAC-SV-RP2530	TAAC-SV-RP2540
Web ID	2110351-271	2110352-271	2110353-271	2110354-271

Zircocam™

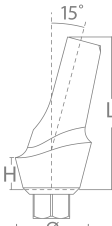




Zirconia Abutments



Zircocam™ - Anatomic Straight Titanium Abutment

				
L		10 mm	11 mm	12 mm
H		1 mm	2 mm	3 mm
Ø		5.5 mm	5.5 mm	5.5 mm
REF		ZAA-SV-RP10	ZAA-SV-RP20	ZAA-SV-RP30
Web ID		2110421-271	2110422-271	2110423-271

Zircocam™ - Anatomic Angled Abutment 15°

				
L		9.5 mm	10.5 mm	11.5 mm
H		1 mm	2 mm	3 mm
Ø		5.5 mm	5.5 mm	5.5 mm
REF		ZAA-SV-RP1510	ZAA-SV-RP1520	ZAA-SV-RP1530
Web ID		2110424-271	2110425-271	2110426-271

Zircocam™ - Anatomic Angled Abutment 25°

				
L		8.5 mm	9.5 mm	10.5 mm
H		1 mm	2 mm	3 mm
Ø		5.5 mm	5.5 mm	5.5 mm
REF		ZAA-SV-RP2510	ZAA-SV-RP2520	ZAA-SV-RP2530
Web ID		2110427-271	2110428-271	2110429-271

3



Clicq™ - Pression Transfer Abutments

- Professional & Starter Kit
- Straight Abutments
- Angled Abutments
- Components

Clicq™ Pression Transfer Abutments

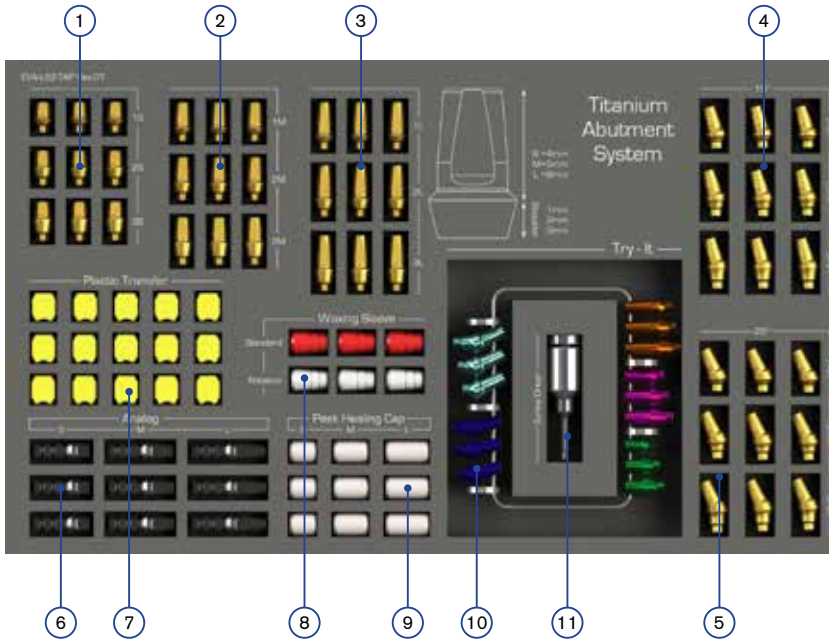


Our Clicq™-Pression line offers dentists a transfer abutment that can also serve as a final abutment, as well as allows you to take a full mouth impression. The diversity of options for this line of abutments gives options for almost every case imaginable, with a variety of collar heights, cone lengths, angulations and connections to choose from. All abutments come with a titanium nitride (TiN) coating and with an option of a yellow snap-on transfer cap for maximized precision during insertion.

The 92-piece Clicq™-Pression professional kit has three angle options: straight, 15° and 25°. It offers three different collar heights, cone lengths and diameters of straight abutments, plus angled abutments of either 1.5mm or 3.0mm. In addition, there are three different sizes of analogs and peek healing caps, plastic transfers, two types of waxing sleeves, and a screwdriver. Clicq™-Pression products are also available as single abutments, yellow-capped abutments, or as a 73-piece starter kit.

Clicq™ Pression

Professional & Starter Kit



- 1 - Straight Transfer Abutments - Short
- 2 - Straight Transfer Abutments - Medium
- 3 - Straight Transfer Abutments - Long
- 4 - Angled Transfer Abutments - 15°
- 5 - Angled Transfer Abutments - 25°
- 6 - Abutment Analogs
- 7 - Plastic Transfers
- 8 - Waxing Sleeves*
- 9 - Healing Caps
- 10 - Try-It*
- 11 - Screw Driver

(*For Professional Kit only)

Starter Kit

REF	TAP-SV-RPSK		
Web ID	2110361-271		
		TAP-SV-RP10S	- 3 pcs
		TAP-SV-RP20S	- 3 pcs
		TAP-SV-RP30S	- 3 pcs
		TAP-SV-RP10M	- 3 pcs
		TAP-SV-RP20M	- 3 pcs
		TAP-SV-RP30M	- 3 pcs
		TAP-SV-RP10L	- 3 pcs
		TAP-SV-RP20L	- 3 pcs
		TAP-SV-RP30L	- 3 pcs
		TAP-SV-RP1510	- 3 pcs
		TAP-SV-RP1520	- 3 pcs
		TAP-SV-RP1530	- 3 pcs
		TAP-SV-RP2510	- 3 pcs
		TAP-SV-RP2520	- 3 pcs
		TAP-SV-RP2530	- 3 pcs
		TAP-AN-S	- 3 pcs
		TAP-AN-M	- 3 pcs
		TAP-AN-L	- 3 pcs
		TAP-PT	- 15 pcs
		TAP-HA-S	- 3 pcs
		TAP-HA-M	- 3 pcs
		TAP-HA-L	- 3 pcs
		HSDA-SV-L	- 1 pcs

Professional Kit

REF	TAP-SV-RPPK		
Web ID	2110362-271		
		TAP-SV-RP10S	- 3 pcs
		TAP-SV-RP20S	- 3 pcs
		TAP-SV-RP30S	- 3 pcs
		TAP-SV-RP10M	- 3 pcs
		TAP-SV-RP20M	- 3 pcs
		TAP-SV-RP30M	- 3 pcs
		TAP-SV-RP10L	- 3 pcs
		TAP-SV-RP20L	- 3 pcs
		TAP-SV-RP30L	- 3 pcs
		TAP-SV-RP1510	- 3 pcs
		TAP-SV-RP1520	- 3 pcs
		TAP-SV-RP1530	- 3 pcs
		TAP-SV-RP2510	- 3 pcs
		TAP-SV-RP2520	- 3 pcs
		TAP-SV-RP2530	- 3 pcs
		TAP-AN-S	- 3 pcs
		TAP-AN-M	- 3 pcs
		TAP-AN-L	- 3 pcs
		TAP-PT	- 15 pcs
		* TAP-WS	- 3 pcs
		* TAP -WSR	- 3 pcs
		TAP-HA-S	- 3 pcs
		TAP-HA-M	- 3 pcs
		TAP-HA-L	- 3 pcs
		* Try-it	- 15 pcs
		HSDA-SV-L	- 1 pcs

Clicq™ - Pression Straight Abutments



Straight Transfer Abutment - Short

	H	1 mm	2 mm
Ø	4.8 mm	4.8 mm	4.8 mm
REF	TAP-SV-RP10S	TAP-SV-RP20S	TAP-SV-RP30S
Web ID	2110371-271	2110372-271	2110373-271

Straight Transfer Abutment - Medium

	H	1 mm	2 mm
Ø	4.8 mm	4.8 mm	4.8 mm
REF	TAP-SV-RP10M	TAP-SV-RP20M	TAP-SV-RP30M
Web ID	2110376-271	2110377-271	2110378-271

Straight Transfer Abutment - Long

	H	1 mm	2 mm
Ø	4.8 mm	4.8 mm	4.8 mm
REF	TAP-SV-RP10L	TAP-SV-RP20L	TAP-SV-RP30L
Web ID	2110381-271	2110382-271	2110383-271



Contents:
 Straight / Angled Abutment
 Titanium Screw
 Plastic Transfer

Clicq™ - Pression

Angled Abutments



Angled Transfer Abutment 15°

H		1 mm	2 mm	3 mm
Ø		4.8 mm	4.8 mm	4.8 mm
REF		TAP-SV-RP1510	TAP-SV-RP1520	TAP-SV-RP1530
Web ID		2110391-271	2110392-271	2110393-271

Angled Transfer Abutment 25°

H		1 mm	2 mm	3 mm
Ø		4.8 mm	4.8 mm	4.8 mm
REF		TAP-SV-RP2510	TAP-SV-RP2520	TAP-SV-RP2530
Web ID		2110411-271	2110412-271	2110413-271

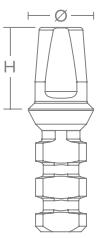





Contents:
Straight / Angled Abutment
Titanium Screw
Plastic Transfer

Clicq™ - Pression Components







Clicq™ Pression - Abutment Analog

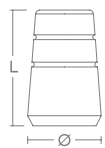


			
H	4 mm	6 mm	8 mm
Ø	4.8 mm	4.8 mm	4.8 mm
REF	TAP-AN-S	TAP-AN-M	TAP-AN-L
Web ID	4120011	4120021	4120031

Clicq™ Pression - Healing Cap

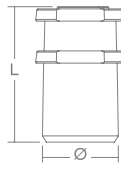

Medical Peek - Classix

			
L	6 mm	8 mm	10 mm
Ø	5.5 mm	5.5 mm	5.5 mm
REF	TAP-HA-S	TAP-HA-M	TAP-HA-L
Web ID	4120041	4120042	4120043

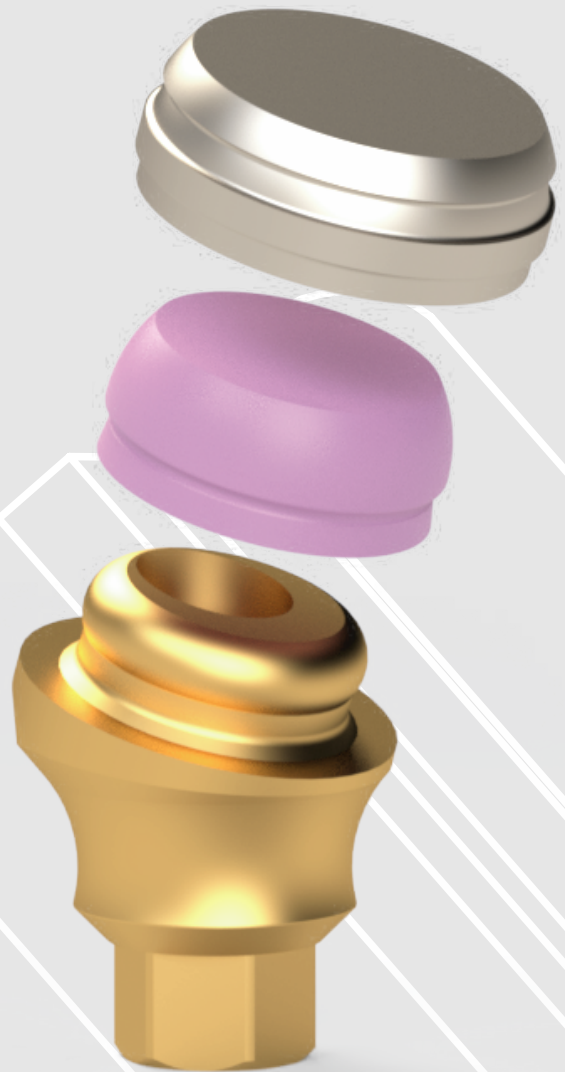
Clicq™ Pression - Waxing Sleeve

		
L	8.5 mm	8.5 mm
Ø	4.6 mm	4.6 mm
REF	TAP-WS	TAP-WSR
Web ID	4120051	4120056

Clicq™ Pression - Closed Tray Plastic Transfer

	
L	10 mm
Ø	5.6 mm
REF	TAP-PT
Web ID	4120061

4



Pop-Clicq™ Removable Overdenture Solutions

- Professional & Mini Kits
- Components
- Pop-Clicq™ - Bar
- Bar Components

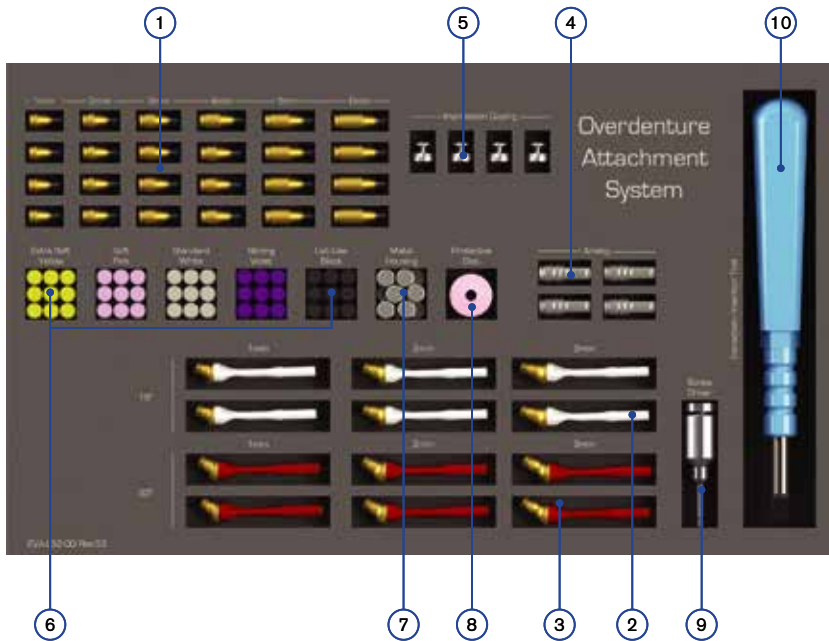
Pop-Clicq™ Attachments Removable Overdenture Solutions



The abutments in the Pop-Clicq™ line benefit from high durability and easy insertion/removal. The self-aligning design allows the dentist to customize the attachment for various levels of retention, achieving the lowest possible vertical profile. The Pop-Clicq™ has a pivoting capacity that increases the attachment's resilience, particularly with regard to tolerance level against mastication force. The design of the pivot system provides a truly strong connection without any loss in the abutment's retention.

Angle options for the 112-piece Pop-Clicq™ professional kit are straight, 18° and 30° with six abutment length options. These kits include: five different color options of retentive caps, metal housings, a protective disc, both metal and plastic impression transfers, an extraction/insertion tool and a screwdriver.

Pop-Clicq™ Overdenture Attachments Professional Kit



- 1 - Straight Titanium Pop-Clicq™ - 1-6 mm
- 2 - Angled Titanium Pop-Clicq™ 18° - 1-3 mm
- 3 - Angled Titanium Pop-Clicq™ 30° - 1-3 mm
- 4 - Abutment Analogs
- 5 - Pick-Up Impression Transfer
- 6 - Retentive Cap
- 7 - Metal Housing
- 8 - Protective Disc
- 9 - Screw Driver
- 10 - Insertion & Extraction Tool

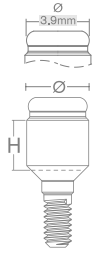
Professional Kit

REF	LOCW-SV-RPPK	
		LOCW-SV-RP10 - 4 pcs
		LOCW-SV-RP20 - 4 pcs
		LOCW-SV-RP30 - 4 pcs
		LOCW-SV-RP40 - 4 pcs
		LOCW-SV-RP50 - 4 pcs
		LOCW-SV-RP60 - 4 pcs
		LOCW-SV-RP1810 - 2 pcs
		LOCW-SV-RP1820 - 2 pcs
		LOCW-SV-RP1830 - 2 pcs
		LOCW-SV-RP3010 - 2 pcs
		LOCW-SV-RP3020 - 2 pcs
		LOCW-SV-RP3030 - 2 pcs
		LOCW-AN - 4 pcs
		LOCW-PU - 4 pcs
		LOCW-RCY - 8 pcs
		LOCW-RCP - 8 pcs
		LOCW-RCT - 8 pcs
		LOCW-RCV - 8 pcs
		LOCW-RCB - 8 pcs
		LOCW-MH - 10 pcs
		LOCW-PD - 10 pcs
		HSDA-SV-L - 1 pcs
		OD-TK - 1 pcs

Pop-Clicq™ Overdenture Attachments Mini Kits

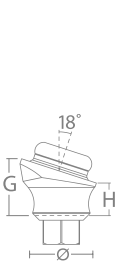


Straight Pop-Clicq™ Attachment - Mini Kit



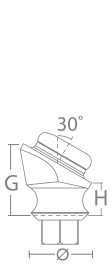
H	0.5 mm	1 mm	2 mm	3 mm	4 mm	5 mm	6 mm
Ø	4.1 mm	4.1 mm	4.1 mm	4.1 mm	4.1 mm	4.1 mm	4.1 mm
REF	LOCW-SV-RP05K	LOCW-SV-RP10K	LOCW-SV-RP20K	LOCW-SV-RP30K	LOCW-SV-RP40K	LOCW-SV-RP50K	LOCW-SV-RP60K
Web ID	2110451-271	2110452-271	2110453-271	2110454-271	2110455-271	2110456-271	2110457-271

Angled Pop-Clicq™ Attachment 18° - Mini Kit



G	2.1 mm	2.6 mm	3.6 mm	4.6 mm
H	0.5 mm	1 mm	2 mm	3 mm
Ø	5.2 mm	5.2 mm	5.2 mm	5.2 mm
REF	LOCW-SV-RP1805K	LOCW-SV-RP1810K	LOCW-SV-RP1820K	LOCW-SV-RP1830K
Web ID	2110461-271	2110462-271	2110463-271	2110464-271

Angled Pop-Clicq™ Attachment 30° - Mini Kit



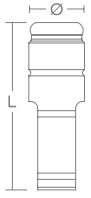

G	3.1 mm	3.6 mm	4.6 mm	5.6 mm
H	0.5 mm	1 mm	2 mm	3 mm
Ø	5.2 mm	5.2 mm	5.2 mm	5.2 mm
REF	LOCW-SV-RP3005K	LOCW-SV-RP3010K	LOCW-SV-RP3020K	LOCW-SV-RP3030K
Web ID	2110471-271	2110472-271	2110473-271	2110474-271

Mini Kit - Content

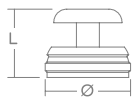

Straight/18°/30° Attachment	- 1 pcs
LOCW-MH	- 1 pcs
LOCW-RCB	- 1 pcs
LOCW-RCY	- 1 pcs
LOCW-RCP	- 1 pcs
LOCW-RCT	- 1 pcs
LOCW-PD	- 1 pcs

Pop-Clicq™ Overdenture Attachments Components



Abutment Analog

	
L	12.3 mm
Ø	4.1 mm
REF	LOCW-AN
Web ID	4210011

Pick-Up Impression Transfer

	
L	4.5 mm
Ø	5.65 mm
REF	LOCW-PU
Web ID	4210021



Metal Housing (2 pcs/pack)

	
L	2 mm
Ø	5.65 mm
REF	LOCW-MH
Web ID	4210031

Retentive Cap (4 pcs/pack)

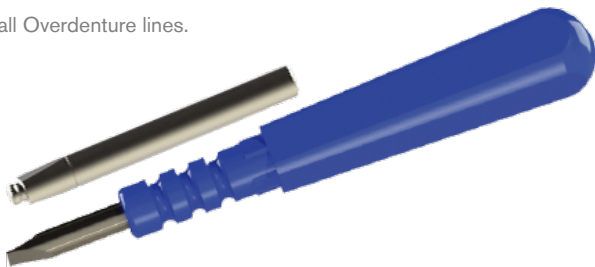
	Lab use only Black laboratory	Ex-Soft Yellow 0.6kg	Soft Pink 1.2kg	Standard Transparent 1.8kg	Strong Violet 2.7kg
					
L	1.75 mm	1.75 mm	1.75 mm	1.75 mm	1.75 mm
Ø	5 mm	5 mm	5 mm	5 mm	5 mm
REF	LOCW-RCB	LOCW-RCY	LOCW-RCP	LOCW-RCT	LOCW-RCV
Web ID	4210041	4210061	4210071	4210081	4210091

Protective Disc (4 pcs/pack)

	
Ø1	13.5 mm
Ø2	2.7 mm
REF	LOCW-PD
Web ID	4210111

Insertion & Extraction Tool for Overdenture Attachments

Suitable for all Overdenture lines.



REF	OD-TK
Web ID	7750271



Pop-Clicq™ Bar Removable Overdenture Solutions

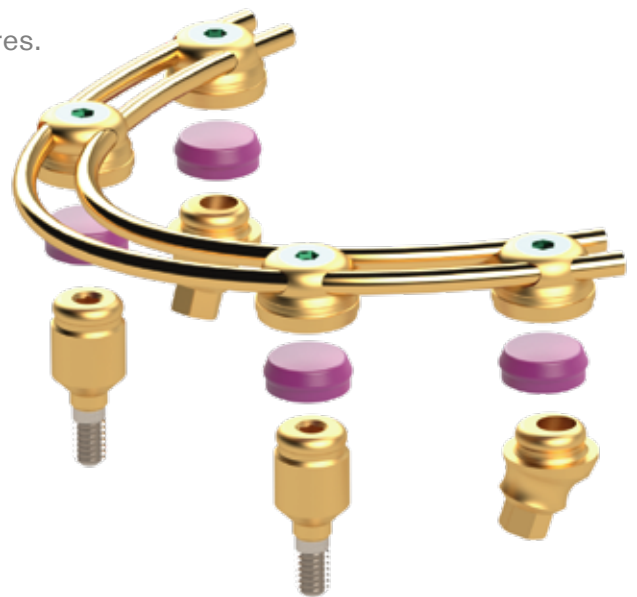


Pop-Clicq™ - Bar It's Time To Raise The Bar!

We are proud to introduce a game changer in the field of On-2 / On-4 Implants:
Prefabricated Removable Bar for Overdentures.

Main Advantages:

- Made of Titanium & Light weight
- Can be done chairside
- No need to send to an external Lab
- Time efficient
- Cost effective
- Grants better stability
- Very easy to use and fast to install



Pop-Clicq™ Bar

Overdenture Attachments

Bar Kits & Components

On 2

REF	LOCW-BK2
Web ID	4210211

On 2 *(Screwdriver Included)

REF	LOCW-BK2D
Web ID	4210221

LOCW-ROD	- 2 pcs
LOCW-BMH	- 2 pcs
LOCW-AN	- 2 pcs
LOCW-PU	- 2 pcs
LOCW-BMHT	- 2 pcs
LOCW-BAS	- 3 pcs
*HSDA-SV-L	- 1 pcs

**On 4**

REF	LOCW-BK4
Web ID	4210231

On 4 *(Screwdriver Included)

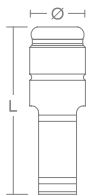

REF	LOCW-BK4D
Web ID	4210241

LOCW-ROD	- 2 pcs
LOCW-BMH	- 4 pcs
LOCW-AN	- 4 pcs
LOCW-PU	- 4 pcs
LOCW-BMHT	- 4 pcs
LOCW-BAS	- 6 pcs
*HSDA-SV-L	- 1 pcs



Adjusting Screw (4 pcs/pack)

Hex	1.25 mm
REF	LOCW-BAS
Web ID	4210281

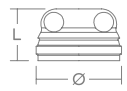

Abutment Analog

	
L	12.3 mm
Ø	4.1 mm
REF	LOCW-AN
Web ID	4210011


Pick-Up Impression Transfer

	
L	4.5 mm
Ø	5.65 mm
REF	LOCW-PU
Web ID	4210021

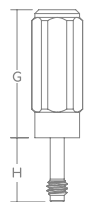

Adjustable Metal Housing

	
L	3.5 mm
Ø	5.65 mm
REF	LOCW-BMH
Web ID	4210251

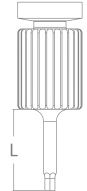

Titanium Rods (2 pcs/pack)

	
L	120 mm
Ø	1.3 mm
REF	LOCW-ROD
Web ID	4210261

Metal Housing Adapter (2 pcs/pack)

	
G	10 mm
H	5 mm
REF	LOCW-BMHT
Web ID	4210271

Hand Screwdriver

	
L	15 mm
Hex	1.25 mm
REF	HSDA-SV-L
Web ID	7740123

“

**WHAT YOU ARE
WILL SHOW
IN WHAT YOU DO.**

Thomas A. Edison

”

5



Q-Clicq™ Removable Overdenture Solutions

- Professional Kit
- Mini Kit
- Components

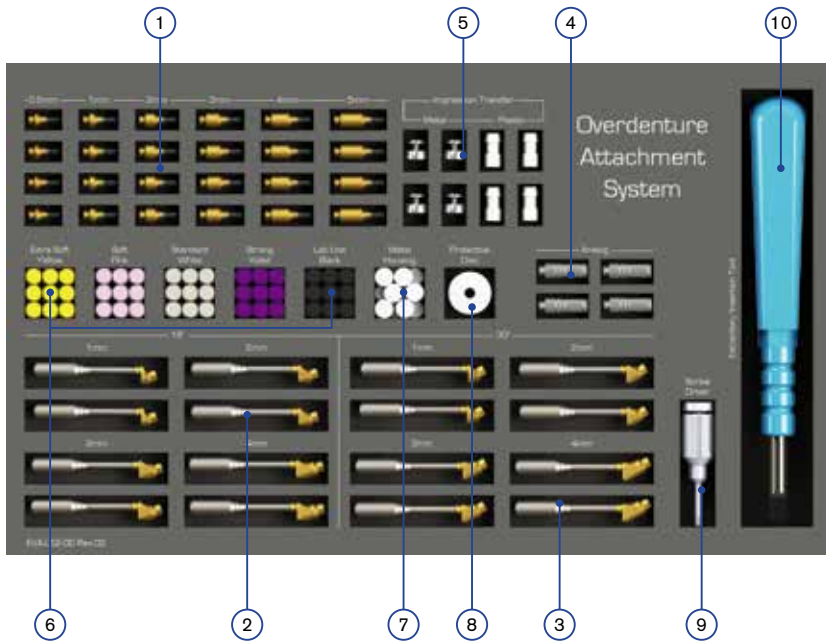
Q-Clicq™ Attachments



The abutments in the Q-Clicq™ line benefit from high durability and easy insertion/removal. The self-aligning design allows the dentist to customize the attachment for various levels of retention, achieving the lowest possible vertical profile. The Q-Clicq™ has a pivoting capacity that increases the attachment's resilience, particularly with regard to tolerance level against mastication force. The design of the pivot system provides a truly strong connection without any loss in the abutment's retention.

Angle options for the 112-piece Q-Clicq™ professional kit are straight, 18° and 30° with six abutment length options. These kits include: five different color options of retentive caps, metal housings, a protective disc, both metal and plastic impression transfers, an extraction/insertion tool, and a screwdriver. Q-Clicq™ products are also available as 100-piece starter kits or 7-piece mini kits

Q-Clicq™ Attachments Professional Kit



- 1 - Straight Titanium Pop-Clicq™ - 0.5-5 mm
- 2 - Angled Titanium Pop-Clicq™ 18° - 1-4 mm
- 3 - Angled Titanium Pop-Clicq™ 30° - 1-4 mm
- 4 - Abutment Analogs
- 5 - Pick-Up Impression Transfer
- 6 - Retentive Cap
- 7 - Metal Housing
- 8 - Protective Disc
- 9 - Screw Driver
- 10 - Insertion & Extraction Tool

Professional Kit

REF	LOCN-SV-RPPK	
Web ID	2110541-271	
	LOCN-SV-RP05	- 4 pcs
	LOCN-SV-RP10	- 4 pcs
	LOCN-SV-RP20	- 4 pcs
	LOCN-SV-RP30	- 4 pcs
	LOCN-SV-RP40	- 4 pcs
	LOCN-SV-RP50	- 4 pcs
	LOCN-SV-RP1810	- 2 pcs
	LOCN-SV-RP1820	- 2 pcs
	LOCN-SV-RP1830	- 2 pcs
	LOCN-SV-RP1840	- 2 pcs
	LOCN-SV-RP3010	- 2 pcs
	LOCN-SV-RP3020	- 2 pcs
	LOCN-SV-RP3030	- 2 pcs
	LOCN-SV-RP3040	- 2 pcs
	LOCN-AN	- 4 pcs
	LOCN-PU	- 4 pcs
	LOCN-PT	- 4 pcs
	LOCN-RCY	- 8 pcs
	LOCN-RCP	- 8 pcs
	LOCN-RCT	- 8 pcs
	LOCN-RCV	- 8 pcs
	LOCN-RCB	- 8 pcs
	LOCN-MH	- 10 pcs
	LOCN-PD	- 10 pcs
	HSDA-SV-L	- 1 pcs
	OD-TK	- 1 pcs

Q-Clicq™ Attachments Straight Mini Kit



Straight Q-Clicq™ Attachment - Mini Kit

	H	0.5 mm	1 mm	2 mm
Ø	3.85 mm	3.85 mm	3.85 mm	3.85 mm
REF	LOCN-SV-RP05K	LOCN-SV-RP10K	LOCN-SV-RP20K	LOCN-SV-RP30K
Web ID	2110571-271	2110572-271	2110573-271	2110574-271

Straight Q-Clicq™ Attachment - Mini Kit

	H	4 mm	5 mm
Ø	3.85 mm	3.85 mm	3.85 mm
REF	LOCN-SV-RP40K	LOCN-SV-RP50K	LOCN-SV-RP60K
Web ID	2110575-271	2110576-271	2110577-271

Mini Kit - Content

Straight/18°/30° Attachment	- 1 pcs
LOCN-MH	- 1 pcs
LOCN-RCB	- 1 pcs
LOCN-RCY	- 1 pcs
LOCN-RCP	- 1 pcs
LOCN-RCT	- 1 pcs
LOCN-PD	- 1 pcs

Q-Clicq™ Attachments

Angled Mini Kit



Angled Q-Clicq™ Attachment 18° - Mini Kit

	2.5 mm	3.5 mm	4.5 mm	5.5 mm
G	2.5 mm	3.5 mm	4.5 mm	5.5 mm
H	1 mm	2 mm	3 mm	4 mm
Ø1 / Ø2	3.85/5.2 mm	3.85/5.2 mm	3.85/5.2 mm	3.85/5.2 mm
REF	LOCN-SV-RP1810K	LOCN-SV-RP1820K	LOCN-SV-RP1830K	LOCN-SV-RP1840K
Web ID	2110581-271	2110582-271	2110583-271	2110584-271

Angled Q-Clicq™ Attachment 30° - Mini Kit

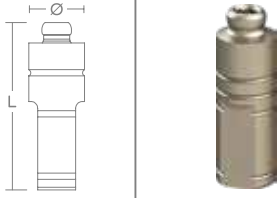
	3.5 mm	4.5 mm	5.5 mm	6.5 mm
G	3.5 mm	4.5 mm	5.5 mm	6.5 mm
H	1 mm	2 mm	3 mm	4 mm
Ø1 / Ø2	3.85/5.2 mm	3.85/5.2 mm	3.85/5.2 mm	3.85/5.2 mm
REF	LOCN-SV-RP3010K	LOCN-SV-RP3020K	LOCN-SV-RP3030K	LOCN-SV-RP3040K
Web ID	2110591-271	2110592-271	2110593-271	2110594-271

Mini Kit - Content

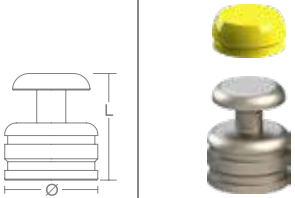
Straight/18°/30° Attachment	- 1 pcs
LOCN-MH	- 1 pcs
LOCN-RCB	- 1 pcs
LOCN-RCY	- 1 pcs
LOCN-RCP	- 1 pcs
LOCN-RCT	- 1 pcs
LOCN-PD	- 1 pcs

Q-Clicq™ Attachments Components

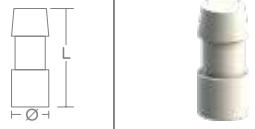
Q-Clicq™ Abutment Analog

	
L	12.3 mm
Ø	4 mm
REF	LOCN-AN
Web ID	4190011


Pick-Up Impression Transfer

	
L	5.5 mm
Ø	4.8 mm
REF	LOCN-PU
Web ID	4190021

Q-Clicq™ Impression Transfer

	
L	3.8 mm
Ø	8.8 mm
REF	LOCN-PT
Web ID	4190026


Q-Clicq™ Metal Housing

	(2 pcs/pack)
	
L	2 mm
Ø	4.5 mm
REF	LOCN-MH
Web ID	4190031

Q-Clicq™ Retentive Cap (4 pcs/pack)

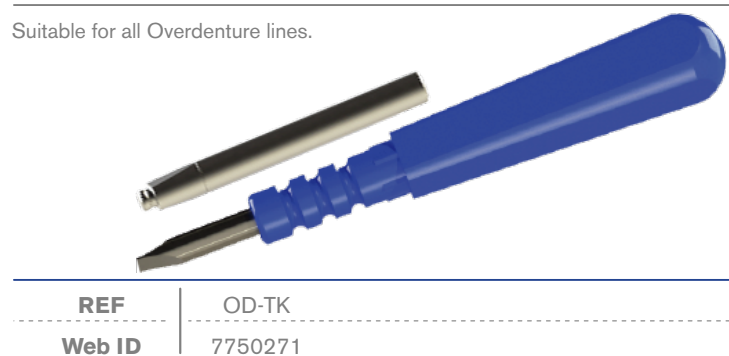
	Lab use only Black laboratory	Ex-Soft Yellow 0.6kg	Soft Pink 1.2kg	Standard Transparent 1.8kg	Strong Violet 2.7kg
					
L	1.7 mm	1.7 mm	1.7 mm	1.7 mm	1.7 mm
Ø	3.8 mm	3.8 mm	3.8 mm	3.8 mm	3.8 mm
REF	LOCN-RCB	LOCN-RCY	LOCN-RCP	LOCN-RCT	LOCN-RCV
Web ID	4190041	4190061	4190071	4190081	4190091

Protective Disc (4 pcs/pack)

	
Ø1	13.5 mm
Ø2	2 mm
REF	LOCN-PD
Web ID	4190101

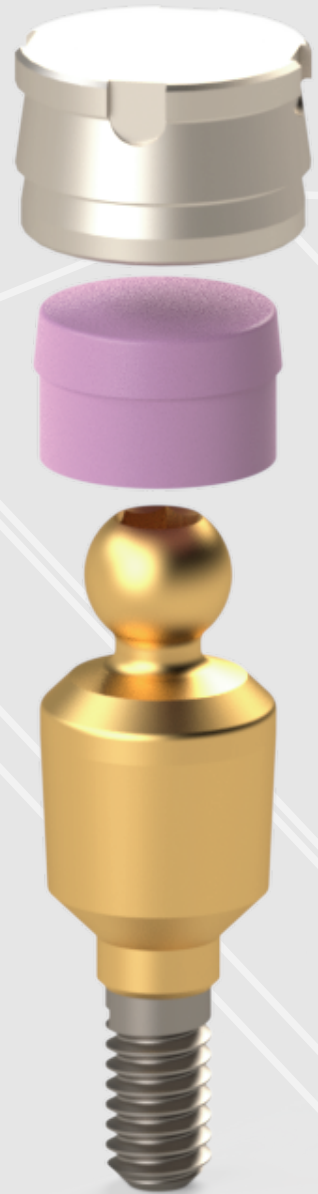
Insertion & Extraction Tool for Overdenture Attachments

Suitable for all Overdenture lines.



REF	OD-TK
Web ID	7750271

6



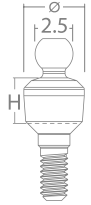
Ball Attachment

Removable Overdenture
Solutions

- Standard Kit
- Components


Ball Attachments

Standard Kit & Components






H	1 mm	2 mm	3 mm	4 mm	5 mm	6 mm
Ø	4 mm	4 mm	4 mm	4 mm	4 mm	4 mm
REF	BAT-SV-RP10	BAT-SV-RP20	BAT-SV-RP30	BAT-SV-RP40	BAT-SV-RP50	BAT-SV-RP60
Web ID	2110491-271	2110492-271	2110493-271	2110494-271	2110495-271	2110496-271



Standard Kit Include:
 BAT-MH (Metal Housing)
 BAT-RCT (Retentive Cap - Transparent)
 LOCN-PD (Protective Disc)

REF	BAT-SV-RP10T	BAT-SV-RP20T	BAT-SV-RP30T	BAT-SV-RP40T	BAT-SV-RP50T	BAT-SV-RP60T
Web ID	2110511-271	2110512-271	2110513-271	2110514-271	2110515-271	2110516-271

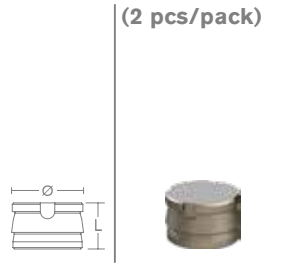


Standard Kit Include:
 BAT-MH (Metal Housing)
 BAT-RCP (Retentive Cap - Pink)
 LOCN-PD (Protective Disc)

REF	BAT-SV-RP10P	BAT-SV-RP20P	BAT-SV-RP30P	BAT-SV-RP40P	BAT-SV-RP50P	BAT-SV-RP60P
Web ID	2110521-271	2110522-271	2110523-271	2110524-271	2110525-271	2110526-271

Metal Housing

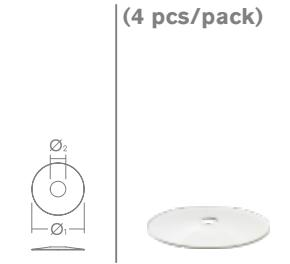
(2 pcs/pack)



Ø	5 mm
L	3.2 mm
REF	BAT-MH
Web ID	4180011

Protective Disc

(4 pcs/pack)



Ø1	13.5 mm
Ø2	2 mm
REF	LOCN-PD
Web ID	4190101

Retentive Cap (4 pcs/pack)



L	2.6 mm	2.6 mm	2.6 mm	2.6 mm	2.6 mm
Ø	4.2 mm	4.2 mm	4.2 mm	4.2 mm	4.2 mm
REF	BAT-RCB	BAT-RCG	BAT-RCY	BAT-RCP	BAT-RCT
Web ID	4180111	4180131	4180151	4180171	4180191

7



Multi-Clicq™ On-X

Fixed Screw-Retained Restorations

- Professional & Mini Kits
- Components
- Multi-Clicq™ - Bar
- Bar Components

Multi-Clicq™ Fixed Screw-Retained Restorations

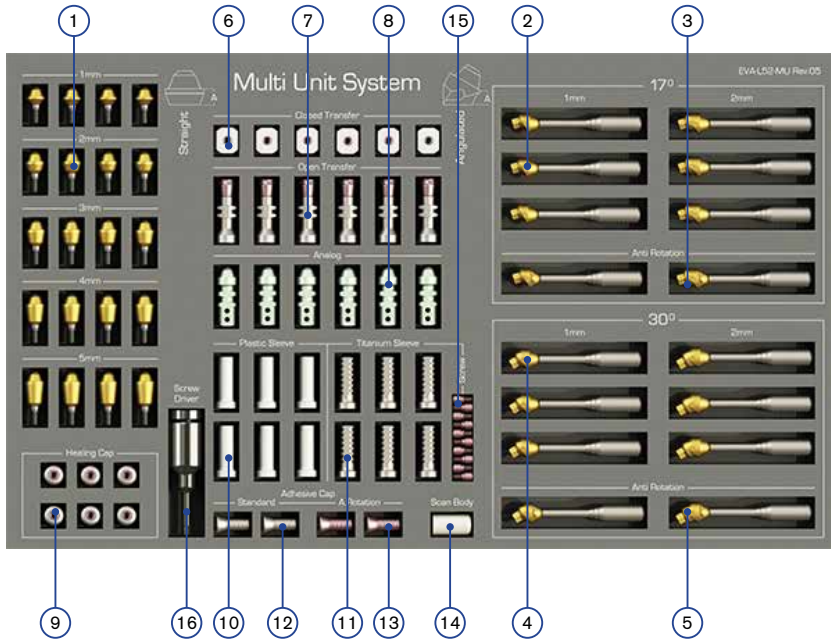


With a combination of a TiN (titanium nitride) coating and a wide, 1.6mm-diameter fixation screw, our Clicq™ Multi-Unit abutments are some of the most durable abutments on the market, with a maximum torque ability of 25 Ncm. The Multi-Unit line offers choice of a wide variety of abutment angles, collar heights and compatibility with various brands, as well as the greatest range of angulation corrections and least lateral offset, ensuring uncompromising strength, versatility and simplicity. The intelligent design and restorative flexibility of our Multi-Unit abutments are matched by their ease of use and surgical efficiency, making them the ideal choice in even the most challenging edentulous cases.

The Clicq™ Multi-Unit's 84-piece professional kit has three angle options: straight, 17° and 30°, and contains five different abutment height options. The professional kit also includes open and closed transfers, healing caps, adhesive caps, plastic and titanium sleeves, titanium screws, a scan body, and a screwdriver. Our Clicq™ Multi-Unit products are also available for purchase as individual abutments, 78-piece starter kits, or 9-piece mini kits.

Multi-Clicq™

Multi Unit - Professional & Starter Kit



- 1 - Straight Titanium Multi-Clicq™ - 1-5 mm
- 2 - Angled Titanium Multi-Clicq™ - 17°-Rotational
- 3 - *Angled Titanium Multi-Clicq™ - 17°-Anti-Rotational
- 4 - Angled Titanium Multi-Clicq™ - 30°-Rotational
- 5 - *Angled Titanium Multi-Clicq™ - 30°-Anti-Rotational
- 6 - Closed Tray Plastic Transfer
- 7 - Open Tray Transfer
- 8 - Abutment Analogs
- 9 - Healing Cap
- 10 - Castable Plastic Sleeve
- 11 - Temporary Titanium Sleeve
- 12 - Adhesive Cap - Rotational
- 13 - *Adhesive Cap - Anti-Rotational
- 14 - Scan Body
- 15 - Prosthetic Titanium Screw
- 16 - Screw Driver

(*For Professional Kit only)

Starter Kit

REF	MUL-SV-RPSK	MUL-SV-RPKS10	- 4 pcs
Web ID	2110631-271	MUL-SV-RPKS20	- 4 pcs
		MUL-SV-RPKS30	- 4 pcs
		MUL-SV-RPKS40	- 4 pcs
		MUL-SV-RPKS50	- 4 pcs
		MUL-SV-RPKS1710	- 3 pcs
		MUL-SV-RPKS1720	- 3 pcs
		MUL-SV-RPKS3010	- 3 pcs
		MUL-SV-RPKS3020	- 3 pcs
		MUL-KS-PUPUG	- 6 pcs
		MUL-KS-OTUG	- 6 pcs
		MUL-KS-AN	- 6 pcs
		MUL-KS-HAUG	- 6 pcs
		MUL-KS-SLVPSUG	- 6 pcs
		MUL-KS-SLVTIUG	- 6 pcs
		MUL-KS-ADRUG	- 2 pcs
		MUL-KS-SBUG	- 1 pcs
		MUL-KS-TSUG	- 10 pcs
		HSDA-SV-L	- 1 pcs

Professional Kit








REF	MUL-SV-RPPK	MUL-SV-RPKS10	- 4 pcs
Web ID	2110633-271	MUL-SV-RPKS20	- 4 pcs
		MUL-SV-RPKS30	- 4 pcs
		MUL-SV-RPKS40	- 4 pcs
		MUL-SV-RPKS50	- 4 pcs
		MUL-SV-RPKS1710	- 3 pcs
		MUL-SV-RPKS1710H	- 1 pcs
		MUL-SV-RPKS1720	- 3 pcs
		MUL-SV-RPKS1720H	- 1 pcs
		MUL-SV-RPKS3010	- 3 pcs
		MUL-SV-RPKS3010H	- 1 pcs
		MUL-SV-RPKS3020	- 3 pcs
		MUL-SV-RPKS3020H	- 1 pcs
		MUL-KS-PUPUG	- 6 pcs
		MUL-KS-OTUG	- 6 pcs
		MUL-KS-AN	- 6 pcs
		MUL-KS-HAUG	- 6 pcs
		MUL-KS-SLVPSUG	- 6 pcs
		MUL-KS-SLVTIUG	- 6 pcs
		MUL-KS-ADRUG	- 2 pcs
		MUL-KS-ADUG	- 2 pcs
		MUL-KS-SBUG	- 1 pcs
		MUL-KS-TSUG	- 10 pcs
		HSDA-SV-L	- 1 pcs

Multi-Clicq™








Multi Unit - Straight



Multi-Clicq™ Straight Abutment - Single Unit

						
H	1 mm	2 mm	3 mm	4 mm	5 mm	6 mm
Ø	4.8 mm	4.8 mm	4.8 mm	4.8 mm	4.8 mm	4.8 mm
REF	MUL-SV-RPKS10	MUL-SV-RPKS20	MUL-SV-RPKS30	MUL-SV-RPKS40	MUL-SV-RPKS50	MUL-SV-RPKS60
Web ID	2110661-271	2110662-271	2110663-271	2110664-271	2110665-271	2110666-271

Multi-Clicq™ Straight Abutment - Mini Kit

						
H	1 mm	2 mm	3 mm	4 mm	5 mm	6 mm
Ø	4.8 mm	4.8 mm	4.8 mm	4.8 mm	4.8 mm	4.8 mm
REF	MUL-SV-RPKS10K	MUL-SV-RPKS20K	MUL-SV-RPKS30K	MUL-SV-RPKS40K	MUL-SV-RPKS50K	MUL-SV-RPKS60K
Web ID	2110651-271	2110652-271	2110653-271	2110654-271	2110655-271	2110656-271



Mini Kit - Content

Straight MUA	- 1 pcs
MUL-KS-AN	- 1 pcs
MUL-KS-PUPUG	- 1 pcs
MUL-KS-SLVPSUG	- 1 pcs
MUL-KS-SLVTIUG	- 1 pcs
MUL-KS-OTUG	- 1 pcs
MUL-KS-HAUG	- 1 pcs
MUL-KS-TSUG	- 2 pcs

Multi-Clicq™

Multi Unit - Angled 17°



Multi-Clicq™ Angled Abutment 17° - Single Unit

	H	1 mm	2 mm	3 mm	4 mm
	G	2.5 mm	3.5 mm	4.5 mm	5.5 mm
	Ø1/Ø2	5/4.8 mm	5/4.8 mm	5/4.8 mm	5/4.8 mm
REF	MUL-SV-RPKS1710	MUL-SV-RPKS1720	MUL-SV-RPKS1730	MUL-SV-RPKS1740	
Web ID	2110691-271	2110692-271	2110693-271	2110694-271	

Multi-Clicq™ Angled Abutment 17° - Single Unit

	Anti-Rotational	
	H	1 mm 2 mm
	G	2.5 mm 3.5 mm
Ø1/Ø2	5/4.8 mm 5/4.8 mm	
REF	MUL-SV-RPKS1710H MUL-SV-RPKS1720H	
Web ID	2110721-271 2110722-271	



Multi-Clicq™ Angled Abutment 17° - Mini Kit

	H	1 mm	2 mm	3 mm	4 mm
	G	2.5 mm	3.5 mm	4.5 mm	5.5 mm
	Ø1/Ø2	5/4.8 mm	5/4.8 mm	5/4.8 mm	5/4.8 mm
REF	MUL-SV-RPKS1710K	MUL-SV-RPKS1720K	MUL-SV-RPKS1730K	MUL-SV-RPKS1740K	
Web ID	2110671-271	2110672-271	2110673-271	2110674-271	

Mini Kit - Content

17° MUA	- 1 pcs
MUL-KS-AN	- 1 pcs
MUL-KS-PUPUG	- 1 pcs
MUL-KS-SLVPSUG	- 1 pcs
MUL-KS-SLVTIUG	- 1 pcs
MUL-KS-OTUG	- 1 pcs
MUL-KS-HAUG	- 1 pcs
MUL-KS-TSUG	- 2 pcs

Multi-Clicq™

Multi Unit - Angled 30°



Multi-Clicq™ Angled Abutment 30° - Single Unit

	H	1 mm	2 mm	3 mm	4 mm
	G	3.5 mm	4.5 mm	5.5 mm	6.5 mm
	Ø1/Ø2	5/4.8 mm	5/4.8 mm	5/4.8 mm	5/4.8 mm
REF	MUL-SV-RPKS3010	MUL-SV-RPKS3020	MUL-SV-RPKS3030	MUL-SV-RPKS3040	
Web ID	2110711-271	2110712-271	2110713-271	2110714-271	

Multi-Clicq™ Angled Abutment 30° - Single Unit

	H	1 mm 2 mm
	G	3.5 mm 4.5 mm
	Ø1/Ø2	5/4.8 mm 5/4.8 mm
REF	MUL-SV-RPKS3010H MUL-SV-RPKS3020H	
Web ID	2110731-271 2110732-271	

Anti-Rotational



Multi-Clicq™ Angled Abutment 30° - Mini Kit

	H	1 mm	2 mm	3 mm	4 mm
	G	3.5 mm	4.5 mm	5.5 mm	6.5 mm
	Ø1/Ø2	5/4.8 mm	5/4.8 mm	5/4.8 mm	5/4.8 mm
REF	MUL-SV-RPKS3010K	MUL-SV-RPKS3020K	MUL-SV-RPKS3030K	MUL-SV-RPKS3040K	
Web ID	2110681-271	2110682-271	2110683-271	2110684-271	

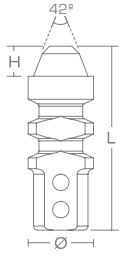

Mini Kit - Content

30° MUA	- 1 pcs
MUL-KS-AN	- 1 pcs
MUL-KS-PUPUG	- 1 pcs
MUL-KS-SLVPSUG	- 1 pcs
MUL-KS-SLVTIUG	- 1 pcs
MUL-KS-OTUG	- 1 pcs
MUL-KS-HAUG	- 1 pcs
MUL-KS-TSUG	- 2 pcs

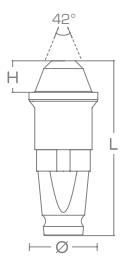

Multi-Clicq™ Components



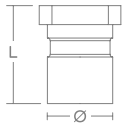

Multi-Clicq™ - Abutment Analog

	
L	13.5 mm
H	2.2 mm
Ø	4.8 mm
REF	MUL-KS-AN
Web ID	4410111

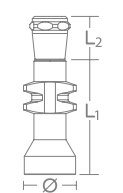

Multi-Clicq™ - Digital Analog

	
L	12 mm
H	2.2 mm
Ø	4.8 mm
REF	MUL-KS-DAN
Web ID	4410115



Multi-Clicq™ Closed Tray Plastic Transfer

	
L	7.2 mm
Ø	4.8 mm
REF	MUL-KS-PUPUG
Web ID	4430141

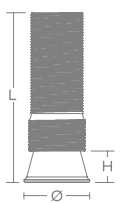

Multi-Clicq™ Open Tray Transfer

	
L1/L2	10.7 / 4.2 mm
Ø	4.8 mm
REF	MUL-KS-OTUG
Web ID	4430151

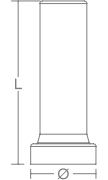

Multi-Clicq™ - Healing Cap

	
L	5.2 mm
Ø	4.8 mm
REF	MUL-KS-HAUG
Web ID	4430131

Multi-Clicq™ - Cobalt Chrome UCLA

	
L	12.5 mm
H	2.3 mm
Ø	4.8 mm
REF	MUL-KS-SLVCCUG
Web ID	4430181

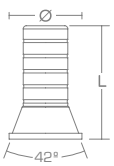
Multi-Clicq™ - Castable Plastic Sleeve

	
L	12 mm
Ø	4.8 mm
REF	MUL-KS-SLVPSUG
Web ID	4430191

Multi-Clicq™ Components

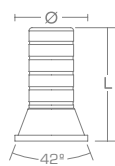


Multi-Clicq™ - Adhesive Cap



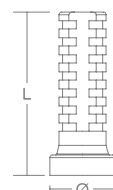
L	7.5 mm
Ø	4.8 mm
REF	MUL-KS-ADUG
Web ID	4430111

Multi-Clicq™ - Adhesive Cap



L	7.5 mm
Ø	4.8 mm
REF	MUL-KS-ADRUG
Web ID	4430121

Multi-Clicq™ - Temporary Sleeve



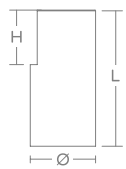
L	12 mm
Ø	4.8 mm
REF	MUL-KS-SLVTIUG
Web ID	4430211

Multi-Clicq™ - Titanium Base



L	4.8 mm
H	0.6 mm
Ø	5 mm
REF	MUL-KS-TBRUG
Web ID	4430241

Multi-Clicq™ Abutment Level Scan Body



L	10 mm
H	4 mm
Ø	4.8 mm
REF	MUL-KS-SBUG
Web ID	4430161

Multi-Clicq™ - Fixation Screw



(2 pcs/pack)



L	4.6 mm
Hex	1.28 mm
Ø	2.1 mm
REF	MUL-KS-TSUG
Web ID	4430261

Clicq™ Multi Bar

Design Patent Pending No. 62154
Patent Pending No. US 62/679,389



Clicq™ - Multi Bar It's Time To Raise The Bar!

We are proud to introduce a game changer
in the field of On-4 / On-6 Implants:
Prefabricated Permanent Bar for Fixed Dentures.

Main Advantages:

- Made of Titanium & Light weight
- Can be done chairside
- No need to send to an external Lab
- Time efficient
- Cost effective
- Grants better stability
- Very easy to use and fast to install



Get a permanent bar
for your patient
within minutes

Clicq™ Multi Bar Kits & Components



On 4

REF	MUL-KS-BK4UG
Web ID	4430321

- MUL-KS-BSLVUG - 4 pcs
- MUL-KS-ROD - 2 pcs
- MUL-KS-BAS - 2 pcs
- MUL-KS-TSUG - 2 pcs
- *HSDA-SV-L - 1 pcs

On 4 *(Screwdriver Included)

REF	MUL-KS-BK4DUG
Web ID	4430331

On 6

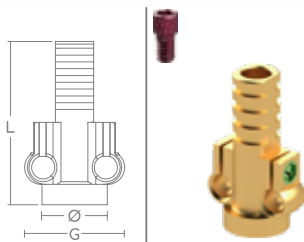
REF	MUL-KS-BK6UG
Web ID	4430351

- MUL-KS-BSLVUG - 6 pcs
- MUL-KS-ROD - 2 pcs
- MUL-KS-BAS - 2 pcs
- MUL-KS-TSUG - 2 pcs
- *HSDA-SV-L - 1 pcs

On 6 *(Screwdriver Included)

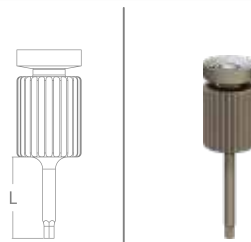
REF	MUL-KS-BK6DUG
Web ID	4430361

Pre-Fabricated Adjustable Sleeve



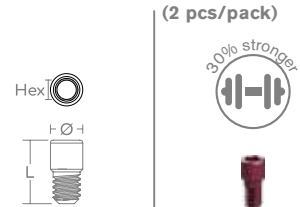
L	12 mm
Ø/G	4.8 / 7 mm
REF	MUL-KS-BSLVUG
Web ID	4430311

Hand Screwdriver



L	15 mm
Hex	1.25 mm
REF	HSDA-SV-L
Web ID	7740123

Multi-Clicq™ - Fixation Screw



(2 pcs/pack)	
L	4.6 mm
Hex	1.28 mm
Ø	2.1 mm
REF	MUL-KS-TSUG
Web ID	4430261

Titanium Rods (2 pcs/pack)



L	130 mm
Ø	1.7 mm
REF	MUL-KS-ROD
Web ID	4410121

Adjusting Screw (4 pcs/pack)



Hex	1.27 mm
REF	MUL-KS-BAS
Web ID	4690011

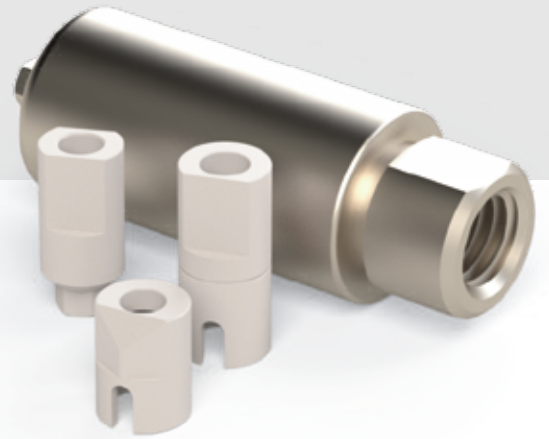
8



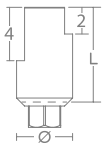

Digital Dentistry

- Scan Abutments
- Pre-Milled Titanium Blank
- Uni-Base™
- Clicq-Base™
- Clicq-Multi Base™ On-X

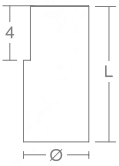

Scan Abutments & Pre-Milled Blank



Implant Level Scan Abutment

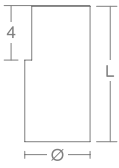

	
L	7 mm
Ø	4.2 mm
REF	SB-SV-RP
Web ID	2110742-271

Multi-Clicq™ Abutment Level Scan Body

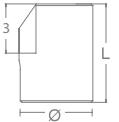

	
L	10 mm
Ø	4.8 mm
REF	MUL-KS-SBUG
Web ID	4430161

Medical Peek - Classix

Clicq-Scan™ Abutment Level Scan Body

	
L	10 mm
Ø	4.5 mm
REF	SBC-TBK-A
Web ID	4130124

Clicq-Scan™ Top Abutment Level Scan Body

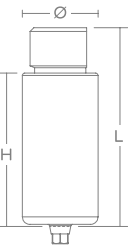


	
L	6 mm
Ø	4.5 mm
REF	SBC-U
Web ID	4130121

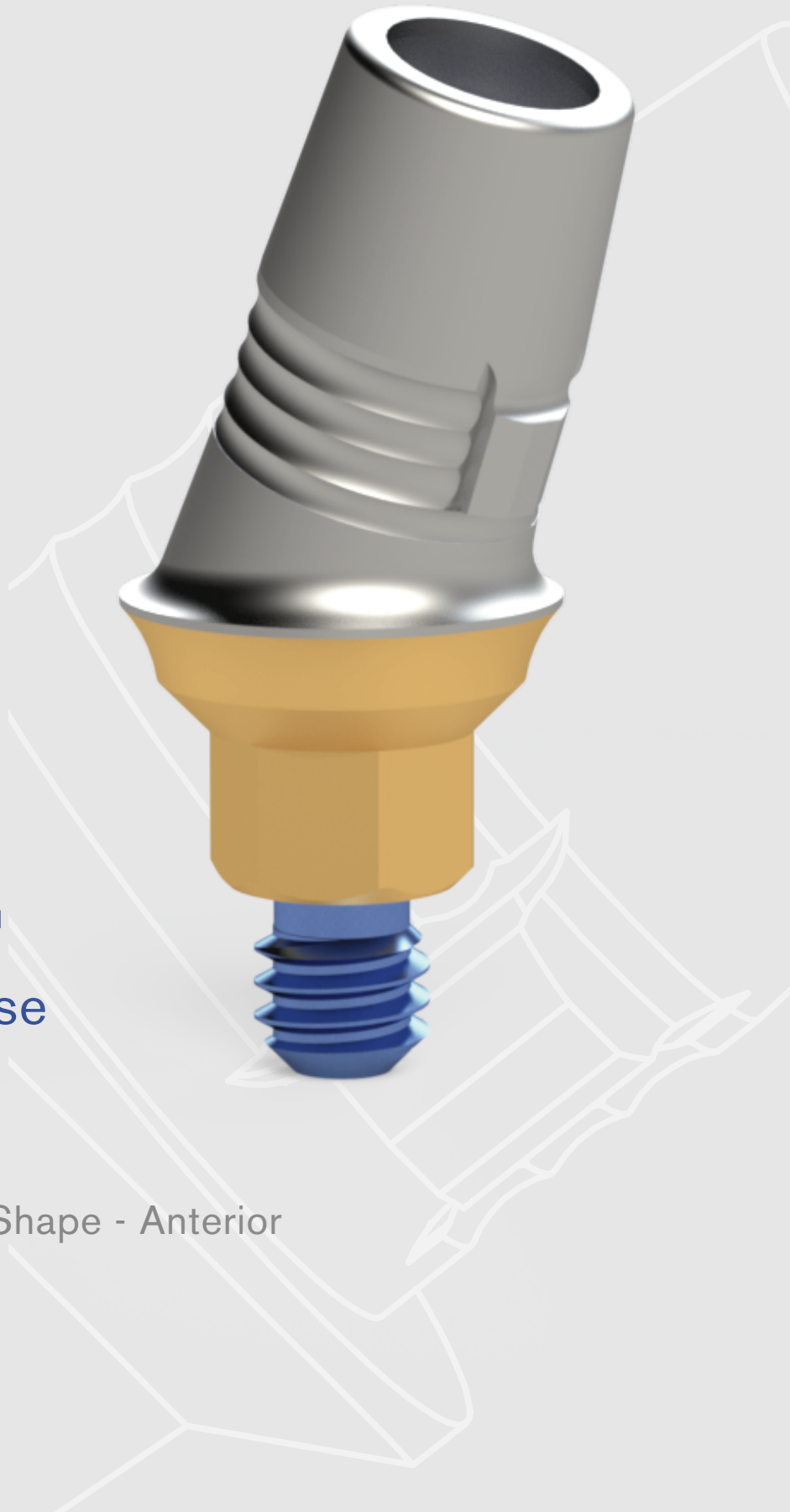
Posterior

See Page - 79

See Page - 79

Pre-Milled Titanium Blank

		
H	20.3 mm	20.3 mm
L	26.3 mm	26.3 mm
Ø	10 mm	10 mm
REF	PMAM-SV-RP	PMAM-SV-RPR
Web ID	2110961-271	2110971-271



Uni-Base™

One Piece Ti-Base

- Straight Ti-Base
- Angled Ti-Base 20°
- Angled Ti-Base 20° Shape - Anterior

Uni-Base™

Characteristics

Simplicity!

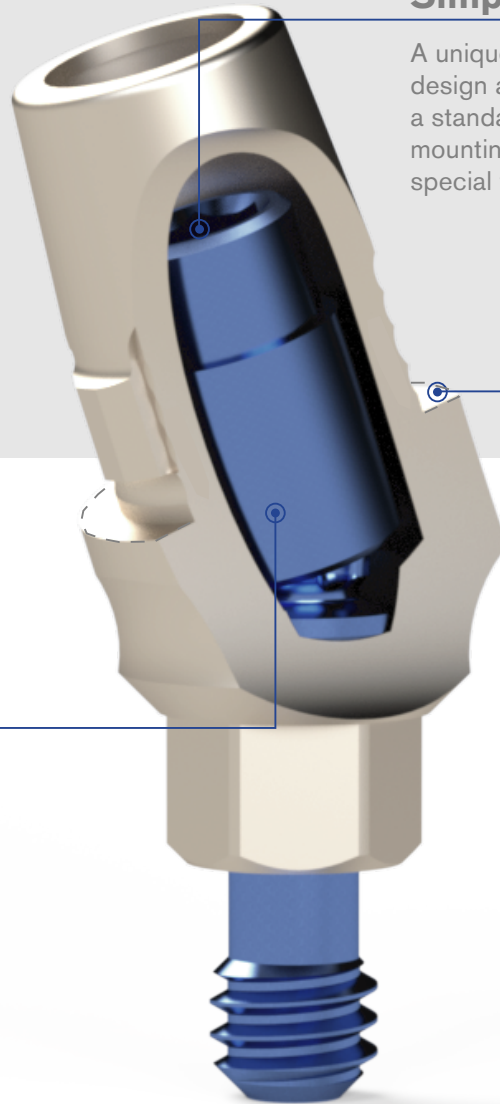
A unique architectural design allows for the use of a standard screwdriver when mounting the Uni-Base, no special tools necessary.

Engineering!

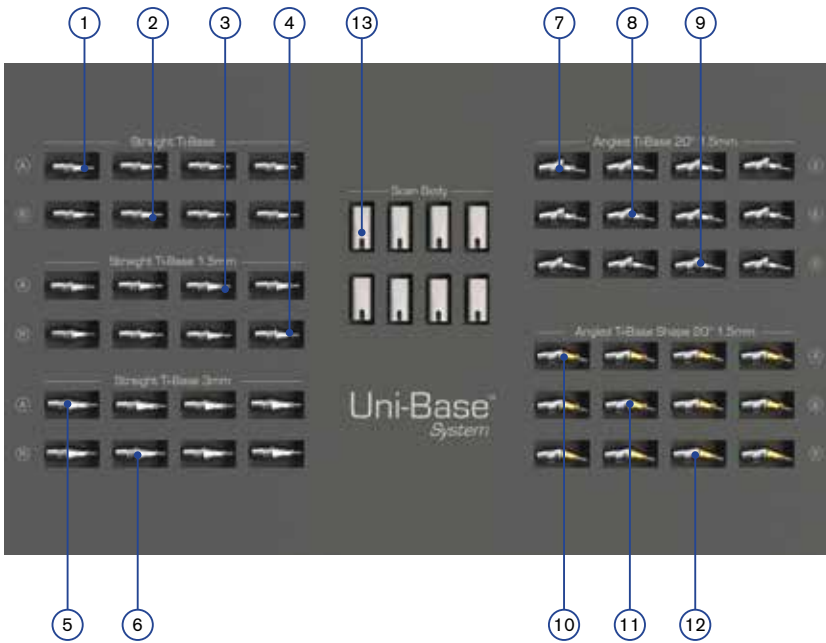
Our Uni-Base features an exclusive mechanism with a built-in "joint-shaft" that is secured into place during the fabrication process .

Innovation!

The flat surface of the shoulder makes for an angulated base that interacts with the implant system in the same manner as a non-angulated base, allowing laboratories to use standard CAD/CAM procedures during the milling process.



Uni-Base™ Professional Kit



- 1 - Straight Ti-Base A
- 2 - Straight Ti-Base Rotational
- 3 - Straight Ti-Base 1.5mm A
- 4 - Straight Ti-Base 1.5mm Rotational
- 5 - Straight Ti-Base 3mm A
- 6 - Straight Ti-Base 3mm Rotational
- 7 - Angled Ti-Base 20° 1.5mm A
- 8 - Angled Ti-Base 20° 1.5mm B
- 9 - Angled Ti-Base 20° 1.5mm Rotational
- 10 - Angled Ti-Base 20° 1.5mm A - Shape
- 11 - Angled Ti-Base 20° 1.5mm B - Shape
- 12 - Angled Ti-Base 20° 1.5mm Rotational - Shape
- 13 - Scan Body

Professional Kit

REF	TBC-SV-RPPK		
Web ID	2110775-271	TBC-SV-RP	- 4 pcs
		TBC-SV-RPR	- 4 pcs
		TBC-SV-RP15	- 4 pcs
		TBC-SV-RP15R	- 4 pcs
		TBC-SV-RP30	- 4 pcs
		TBC-SV-RP30R	- 4 pcs
		TBC-SV-RP2015A	- 4 pcs
		TBC-SV-RP2015B	- 4 pcs
		TBC-SV-RP2015R	- 4 pcs
		TBC-SV-RP2015UA	- 4 pcs
		TBC-SV-RP2015UB	- 4 pcs
		TBC-SV-RP2015UR	- 4 pcs
		SBC-TBK-A	- 8 pcs

Uni-Base™

Straight Titanium Bases



Uni-Base™ - Straight Ti-Base

	H	0.5 mm	1.5 mm	3 mm
	C	4.7 mm	4.7 mm	4.7 mm
	Ø	4.3 mm	4.3 mm	4.3 mm
REF	TBC-SV-RP	TBC-SV-RP15	TBC-SV-RP30	
Web ID	2110751-271	2110752-271	2110753-271	

Uni-Base™ - Straight Ti-Base - Rotational

	H	0.5 mm	1.5 mm	3 mm
	C	4.7 mm	4.7 mm	4.7 mm
	Ø	4.3 mm	4.3 mm	4.3 mm
REF	TBC-SV-RPR	TBC-SV-RP15R	TBC-SV-RP30R	
Web ID	2110756-271	2110757-271	2110758-271	

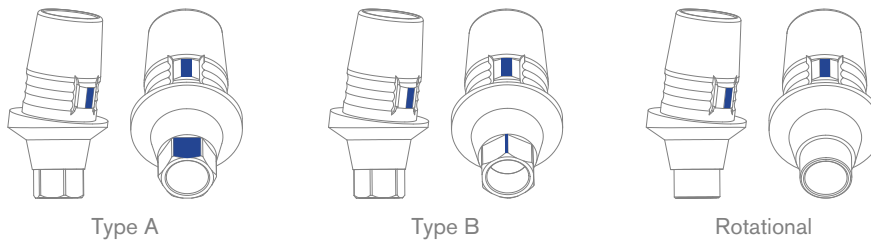
Uni-Base™

Angled Titanium Bases 20°

Patent Pending US 63013564



Angled Ti-Base Types: Two internal hex orientations that differ by a 30° rotation around the base provide an option of twelve (rather than the usual six) placement orientations in the mouth.



Angled Ti-Base 20°

	Type A	Type B	Rotational
H/G	1.5 mm / 3 mm	1.5 mm / 3 mm	1.5 mm / 3 mm
L	7 mm	7 mm	7 mm
Ø	4.5 mm	4.5 mm	4.5 mm
REF	TBC-SV-RP2015A	TBC-SV-RP2015B	TBC-SV-RP2015R
Web ID	2110776-271	2110781-271	2110786-271

Uni-Base™ Shape

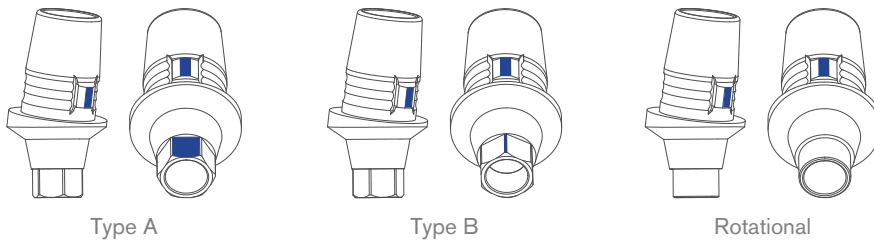
Angled Titanium Bases 20°

- Anterior -

Patent Pending US 63013564



Angled Ti-Base Types: Two internal hex orientations that differ by a 30° rotation around the base provide an option of twelve (rather than the usual six) placement orientations in the mouth.

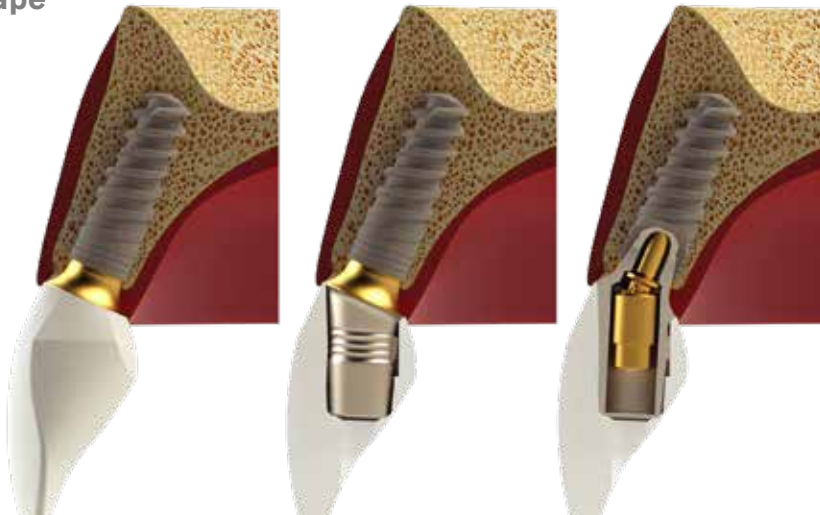


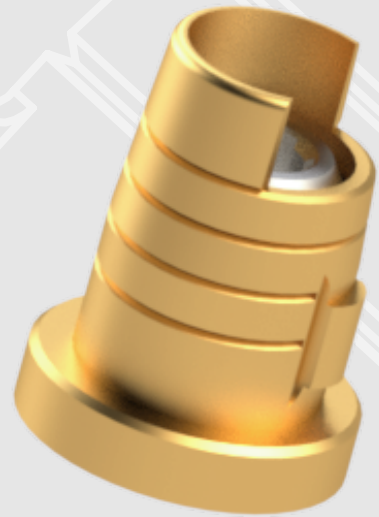
Angled Ti-Base 20°

	Type A	Type B	Rotational
C1/C2	6 mm / 5 mm	6 mm / 5 mm	6 mm / 5 mm
H/G	1.5 mm / 1.5 mm	1.5 mm / 1.5 mm	1.5 mm / 1.5 mm
Ø	4.5 mm	4.5 mm	4.5 mm
REF	TBC-SV-RP2015UA	TBC-SV-RP2015UB	TBC-SV-RP2015UR
Web ID	2110778-271	2110784-271	2110789-271

Uni-Base™ Shape

Anterior





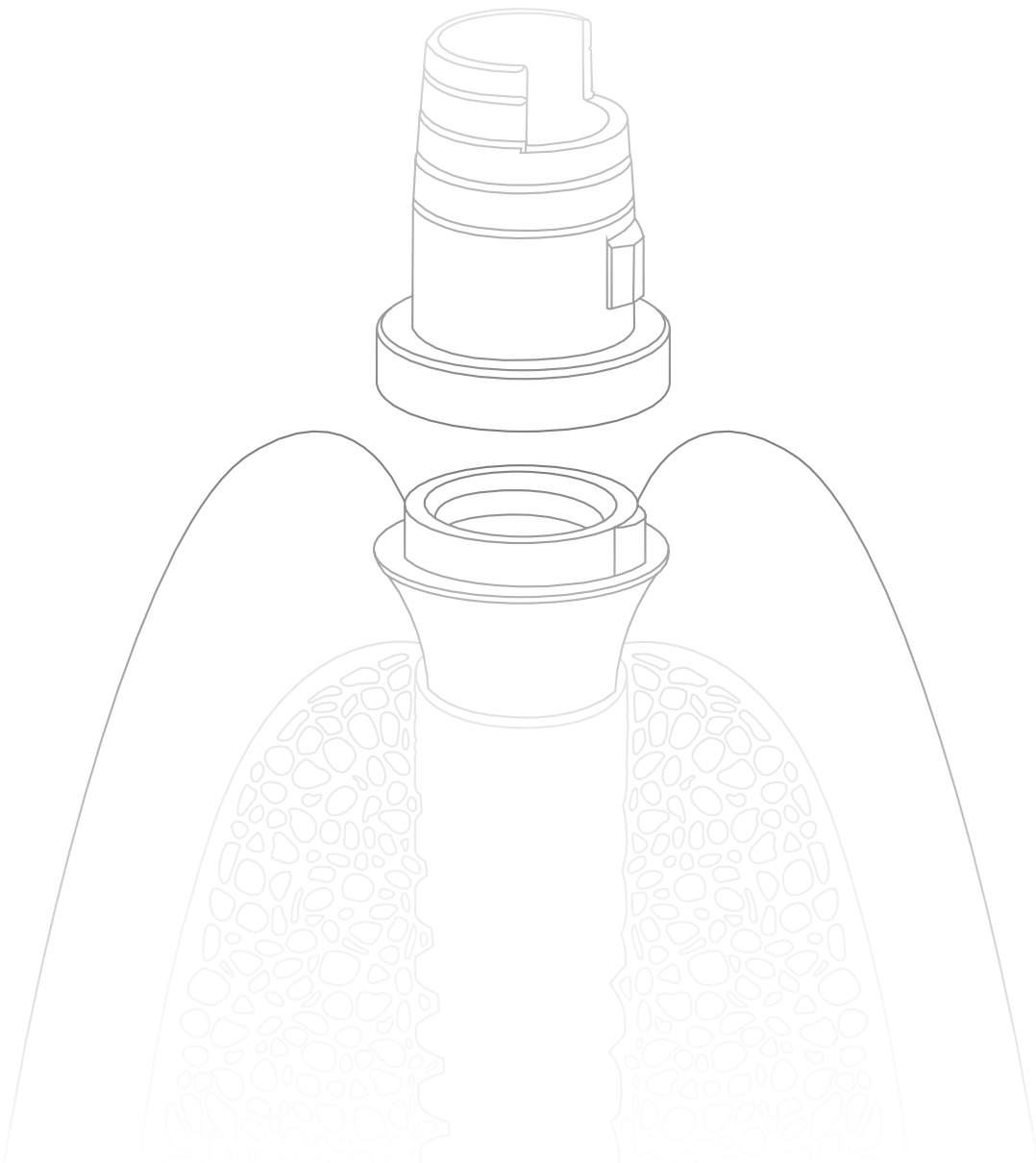
Clicq-Base™

2 Piece Ti-Base

- Straight Ti-Base
- Angled Ti-Base 15° & 25°
- Components

Clicq-Base™ Introduction

The advanced design of dibay's Ti-Base offers a never before seen functionality in the implant platform and facilitates a prosthetic system defined by strength, stability and longevity. With the potential for indexed, repeatable placement of the connection in a single position, the Ti-Base ensures accuracy and precision throughout the implant procedure, all the while preventing any disturbances to the peri-implant seal. The interface's close proximity to surrounding dense soft tissue serves as a biological seal against bacteria and prevents any micromovements or microleakage that can lead to crestal bone loss.

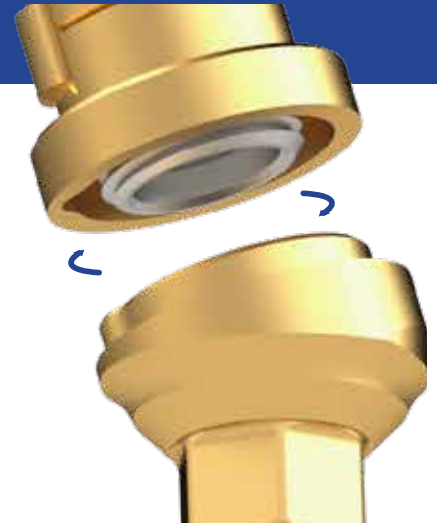


Clicq-Base™ Connection

Ergonomics and Angulation A Breakthrough Ti-Base Design

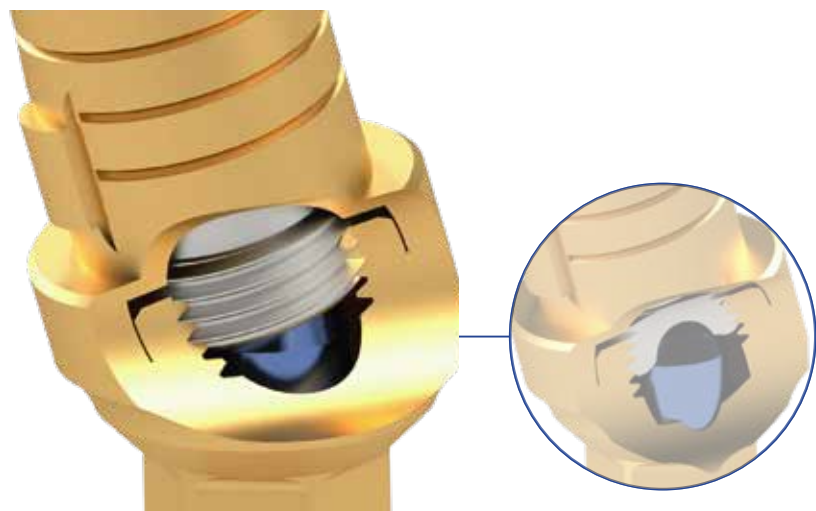


B Both the base and sleeve feature an alignment notch that facilitates easy and hassle-free mounting. Simply screw the unit's sleeve onto the base until the two notches are aligned and the two pieces lock into place.



A This convenient two-piece Ti-Base facilitates implant restoration without removal of the entire unit, protecting the implant site from undesirable microflora and risk of infection. The upper sleeve of the unit is removable and can be substituted with a healing cap.

C Our Ti-Base features two internal, built-in screws that are secured into place during the fabrication process. This architectural design allows for use of a standard screw driver when mounting the Ti-Base, no special tools necessary.



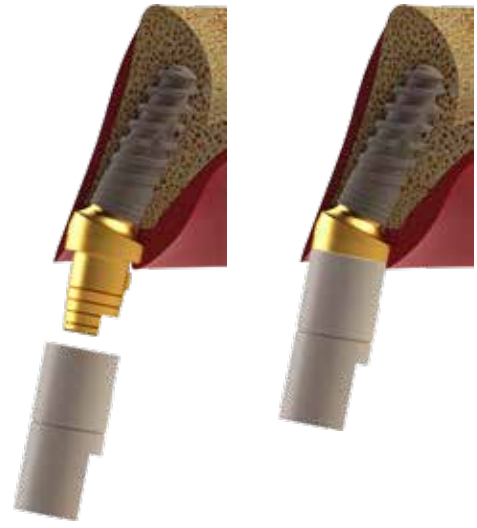
Clicq-Base™

Step by Step - Anterior

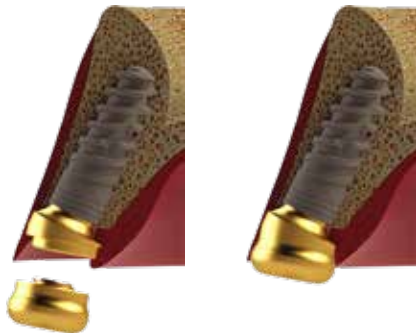
- 01** A carrier is used to place the base into the implant and maintain the connection's position while screwing it into place. Using a standard hex drivescrew sleeve is screwed onto the base until the locking mechanism is activated, which occurs when the two notches on the sleeve and connection are aligned. Recommended tightening torque: 10 Ncm



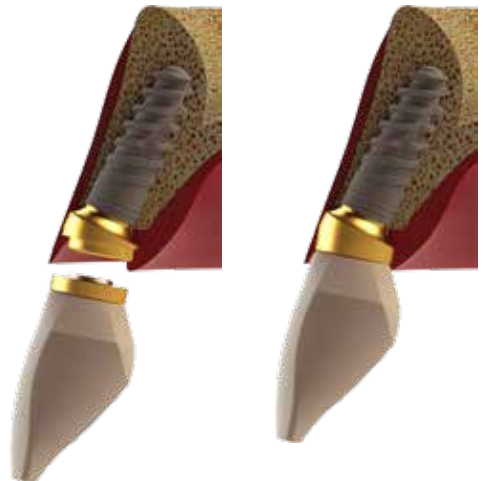
- 02** The scanbody snaps onto the titanium sleeve in a single position. After the scanbody is attached to the sleeve, the apparatus is ready for intraoral scanning.



- 03** A healing cap or temporary crown should be used on the Ti-Base until healing of the surrounding tissue is complete. When using a healing cap, recommended tightening torque is 12 Ncm.

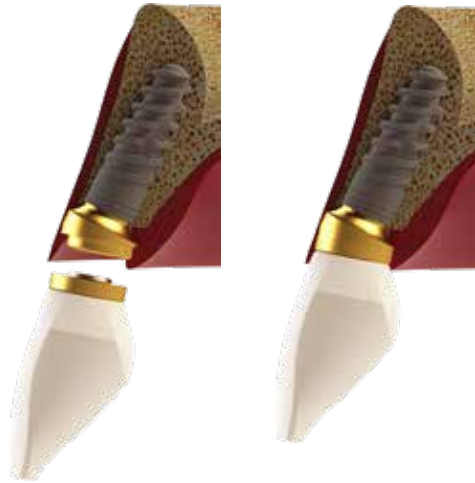


- 04** When using a temporary crown on the Ti-Base during tissue healing, recommended tightening torque is 30 Ncm.

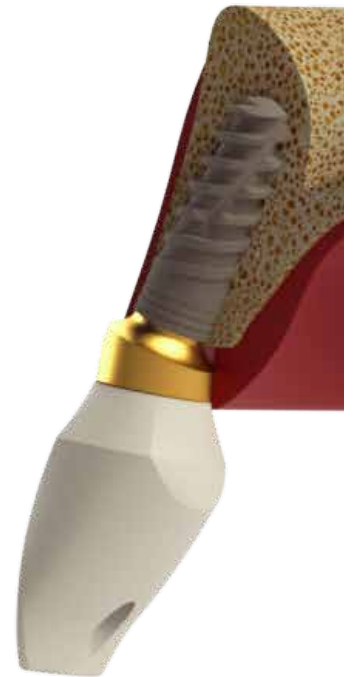


Clicq-Base™ Step by Step - Anterior

- 05** Once healing is complete, the permanent crown can be mounted. The final crown is equipped with a screw channel to affix to the Ti-Base for a screw-retained concept that provides maximal strength and retention. Recommended tightening torque: 30 Ncm



- This is how the final and complete restoration appears once the permanent crown has been attached.



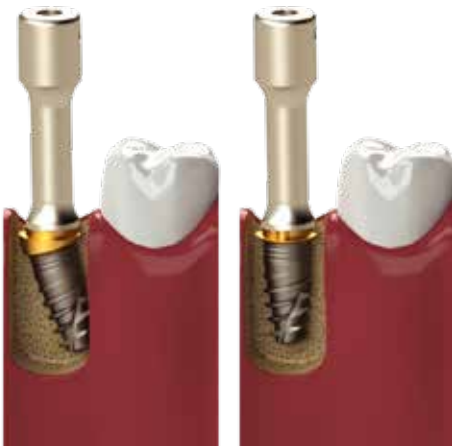
- 06** The final angled restoration is composed entirely of straight screws, with the angulation occurring only in the connection itself, which guarantees unwavering stability.



Clicq-Base™

Step by Step - Posterior

- 01** A carrier is used to place the base into the implant and maintain the connection's position while screwing it into place. Using a standard screwdriver, the sleeve is screwed onto the base until the locking mechanism is activated, which occurs when the two notches on the sleeve and connection are aligned. Recommended tightening torque: 10 Ncm

**A****B****C**

- 02** The scanbody snaps onto the titanium sleeve in a single position. After the scanbody is attached to the sleeve, the apparatus is ready for intraoral scanning.

**A****B**

Clicq-Base™

Step by Step - Posterior

03

A healing cap or temporary crown should be used on the Ti-Base until healing of the surrounding tissue is complete. When using a healing cap, recommended tightening torque is 12 Ncm.



A

B

04

When using a temporary crown on the Ti-Base during tissue healing, recommended tightening torque is 30 Ncm.



A

B



05

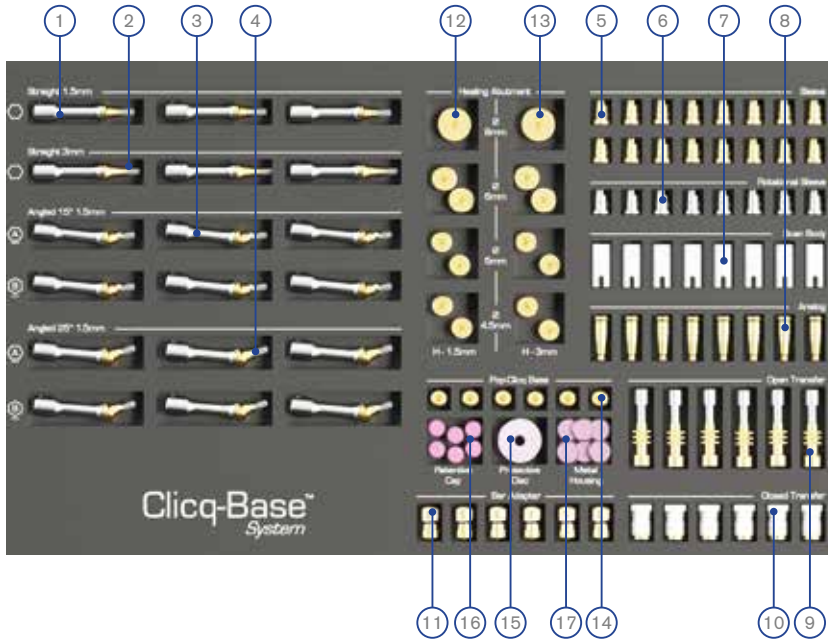
Once healing is complete, the permanent crown can be mounted. The final crown is equipped with a screw channel to affix to the Ti-Base for a screw-retained concept that provides maximal strength and retention. Recommended tightening torque: 30 Ncm.



A

B

Clicq-Base™ Professional Kit

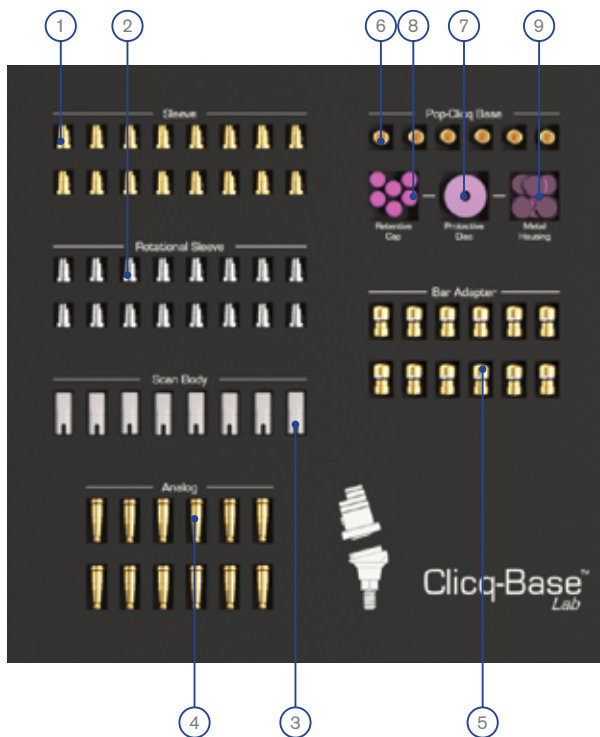
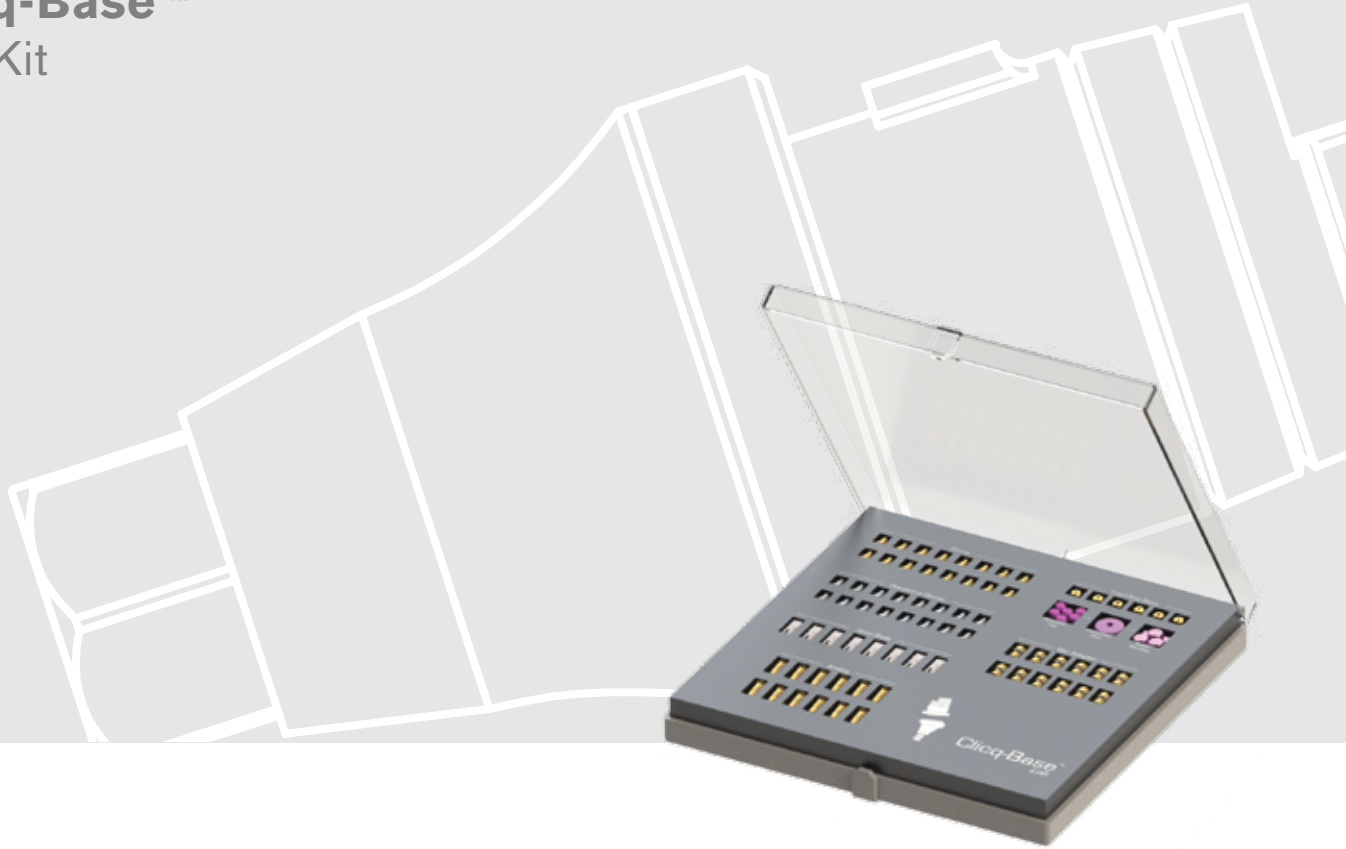


- 1 - Straight Ti-Base H 1.8mm
- 2 - Straight Ti-Base H 3mm
- 3 - Angled Ti-Base 15° H 2mm Type A & B
- 4 - Angled Ti-Base 25° H 2mm Type A & B
- 5 - Clicq-Base™ Ti-Sleeve
- 6 - Rotational Clicq-Base™ Ti-Sleeve
- 7 - Clicq-Scan™
- 8 - Clicq-Base™ Digital Analog
- 9 - Clicq-Base™ Open Transfer
- 10 - Clicq-Base™ Closed Transfer
- 11 - Clicq Multi Base™ Bar Adapter
- 12 - Clicq-Base™ Healing Cap - Short
- 13 - Clicq-Base™ Healing Cap - Long
- 14 - Pop-Clicq Base™ Overdenture
- 15 - Protective Disc
- 16 - Retentive Cap
- 17 - Metal Housing

Professional Kit

REF	TBK-SV-RPPK		
		TBK-SV-RP15	- 3 pcs
		TBK-SV-RP30	- 3 pcs
		TBK-SV-RP1515A	- 3 pcs
		TBK-SV-RP1515B	- 3 pcs
		TBK-SV-RP2515A	- 3 pcs
		TBK-SV-RP2515B	- 3 pcs
		TBK-TBUG	- 16 pcs
		TBK-TBRUG	- 8 pcs
		SBC-TBK-A	- 8 pcs
		TBK-AN	- 8 pcs
		TBK-OTUG	- 6 pcs
		TBK-PUPUG	- 6 pcs
		TBK-BADPUG	- 6 pcs
		TBK-HA-SNUG	- 2 pcs
		TBK-HA-SUG	- 2 pcs
		TBK-HA-SWUG	- 2 pcs
		TBK-HA-SEWUG	- 1 pcs
		TBK-HA-LNUG	- 2 pcs
		TBK-HA-LUG	- 2 pcs
		TBK-HA-LWUG	- 2 pcs
		TBK-HA-LEWUG	- 1 pcs
		TBK-LOCW-UG	- 6 pcs
		LOCW-RCP	- 6 pcs
		LOCW-PD	- 6 pcs
		LOCW-MH	- 6 pcs

Clicq-Base™ Lab Kit



- 1 - Clicq-Base™ Ti-Sleeve
- 2 - Rotational Clicq-Base™ Ti-Sleeve
- 3 - Clicq-Scan™
- 4 - Clicq-Base™ Digital Analog
- 5 - Clicq Multi Base™ Bar Adapter
- 6 - Pop-Clicq Base™ Overdenture Attachment
- 7 - Protective Disc
- 8 - Retentive Cap
- 9 - Metal Housing

Lab Kit

REF	TBK-LABK-UG		
		TBK-TBUG	- 16 pcs
		TBK-TBRUG	- 16 pcs
		SBC-TBK-A	- 8 pcs
		TBK-AN	- 12 pcs
		TBK-BADPUG	- 12 pcs
		TBK-LOCW-UG	- 6 pcs
		LOCW-RCP	- 6 pcs
		LOCW-PD	- 6 pcs
		LOCW-MH	- 6 pcs
Web ID	4510711		

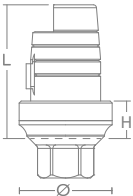

Clicq-Base™

Straight Titanium Base

- 2 Pcs -

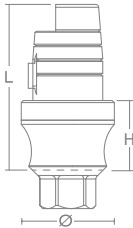



Straight Ti-Base H 1.8mm

	
H	1.8 mm
L	6.5 mm
Ø	4.5 mm
REF	TBK-SV-RP15
Web ID	2110792-271



Straight Ti-Base H 3mm

	
H	3 mm
L	7.7 mm
Ø	4.5 mm
REF	TBK-SV-RP30
Web ID	2110793-271



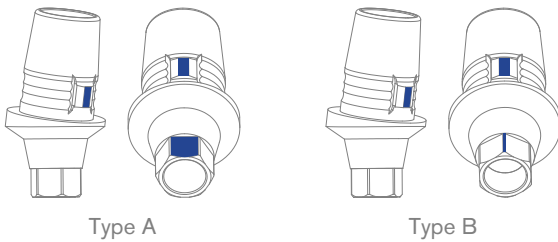
Clicq-Base™

Angled Titanium Base 15°/25°

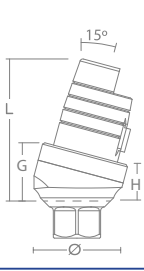


- 2 Pcs -



Angled Ti-Base Types: Two internal hex orientations that differ by a 30° rotation around the base provide an option of twelve (rather than the usual six) placement orientations in the mouth.

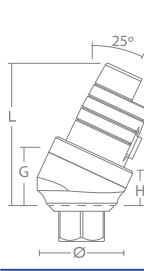




Angled Ti-Base 15° H 1.8mm

	Type A	Type B
		
H/G	1.8 mm / 3 mm	1.8 mm / 3 mm
L	7.2 mm	7.2 mm
Ø	4.5 mm	4.5 mm
REF	TBK-SV-RP1515A	TBK-SV-RP1515B
Web ID	2110811-271	2110816-271

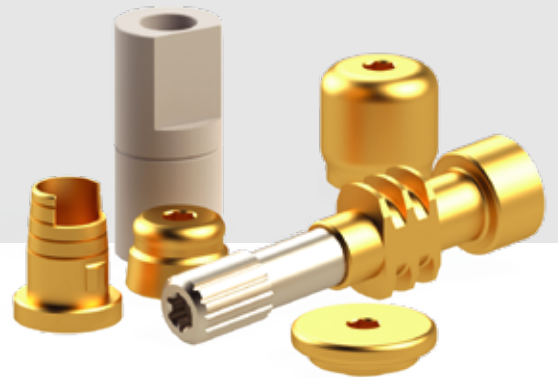


Angled Ti-Base 25° H 1.8mm

	Type A	Type B
		
H/G	1.8 mm / 3.5 mm	1.8 mm / 3.5 mm
L	7.5 mm	7.5 mm
Ø	4.5 mm	4.5 mm
REF	TBK-SV-RP2515A	TBK-SV-RP2515B
Web ID	2110826-271	2110831-271



Clicq-Base™ Components



Full Digital Solutions - Intra-Oral Scanning

Do Not Use With Rotational Clicq-Base™ Ti-Sleeve

Clicq-Base™ Ti-Sleeve

	Rotational	
C	4.7 mm	4.7 mm
Ø	4.5 mm	4.5 mm
REF	TBK-TBUG	TBK-TBRUG
Web ID	4510511	4510513

Clicq-Scan™ Abutment Level Scan Body

L	10 mm
Ø	4.5 mm
REF	SBC-TBK-A
Web ID	4130124

Clicq-Scan™ Top Abutment Level Scan Body

	Posterior	
L	6 mm	
Ø	4.5 mm	
REF	SBC-U	
Web ID	4130121	

Clicq-Base™ Digital Analog

L	9.5 mm
Ø	4.5 mm
REF	TBK-AN
Web ID	4130011

Semi Digital Solutions - Manual Impression & Lab Model Scanning

Clicq-Base™ Closed Transfer

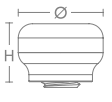




L	8 mm
Ø	4.5 mm
REF	TBK-PUPUG
Web ID	4510331

Clicq-Base™ Open Transfer

L1/L2	8 mm / 10 mm
Ø	4.5 mm
REF	TBK-OTUG
Web ID	4510411

Clicq-Base™ Components

Clicq-Base™ Healing Cap - Short

				
H	1.5 mm	1.5 mm	1.5 mm	1.5 mm
Ø	4.5 mm	5 mm	6 mm	8 mm
REF	TBK-HA-SNUG	TBK-HA-SUG	TBK-HA-SWUG	TBK-HA-SEWUG
Web ID	4510211	4510217	4510221	4510231

Clicq-Base™ Healing Cap - Long

				
H	3 mm	3 mm	3 mm	3 mm
Ø	4.5 mm	5 mm	6 mm	8 mm
REF	TBK-HA-LNUG	TBK-HA-LUG	TBK-HA-LWUG	TBK-HA-LEWUG
Web ID	4510215	4510219	4510225	4510235

Overdenture Solutions -

For Clicq-Multi Base™ Bar & Overdenture Attachments

Pop-Clicq Base™ Overdenture Attachment

		Mini Kit - Content	
H1/H2	1.5 mm / 0.8 mm	TBK-LOCW-UG	- 1 pcs
Ø	4.5 mm	LOCW-MH	- 1 pcs
REF	TBK-LOCW-UG	LOCW-RCB	- 1 pcs
Web ID	4510561	LOCW-RCY	- 1 pcs
		LOCW-RCP	- 1 pcs
		LOCW-RCT	- 1 pcs
		LOCW-PD	- 1 pcs

“

**A SMILE IS
HAPPINESS
YOU'LL FIND
RIGHT UNDER
YOUR NOSE.**

Tom Wilson

”



Clicq-Multi Base™

On-X

The intelligently designed adjustable adapter system
for milled bar overdentures

The Intelligently Designed Adjustable Adapter System

For Milled Bar Overdentures

The first of its kind to feature an intrinsic mechanism that corrects any dimensional inaccuracies in laboratory-milled overdenture bars, the Clicq Multi-Base™ On X is the ideal solution for placement of milled bar overdentures. Despite accurate oral scans, milled bars are often returned from the laboratory with an impactful level of dimensional deviation, causing misalignment of the implant components and resulting in lack of prosthesis stability. Using a uniquely designed ball attachment that expands during the screw tightening process, the system's adapters are able to modify their positioning with respect to the implant base and overdenture, allowing for a secure fit in the patient's mouth.



Clicq-Multi Base™ On X

The intelligently designed adjustable adapter system for milled bar overdentures

Step by Step

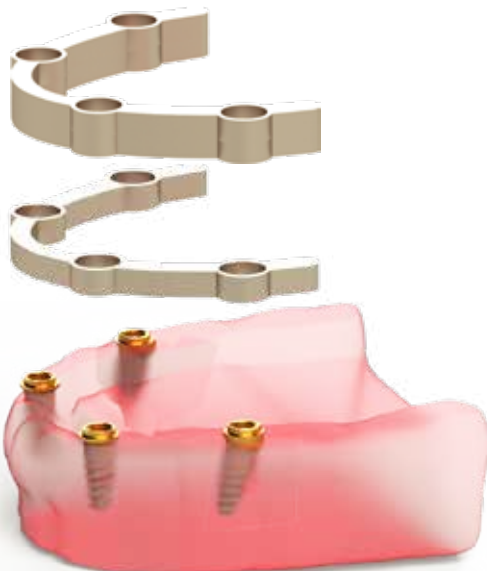
- 01** A carrier is used to facilitate easy insertion of the base into the implant. The base should be placed in the desired straight or angled orientation on top of the implant and then screwed into position using a screwdriver.



- 02** The base adapters are then screwed into the implant base. Scanbodies can then be attached to the adapters, at which point the apparatus is ready for intraoral scanning.



- 03** The milled bar that is received back from the laboratory is reflective of the scans taken, with a single hole aligned above the position and at the respective angle of each base in the implant.



- 04** To begin the final restoration process, the base adapters should be screwed onto the implant bases using a screwdriver.

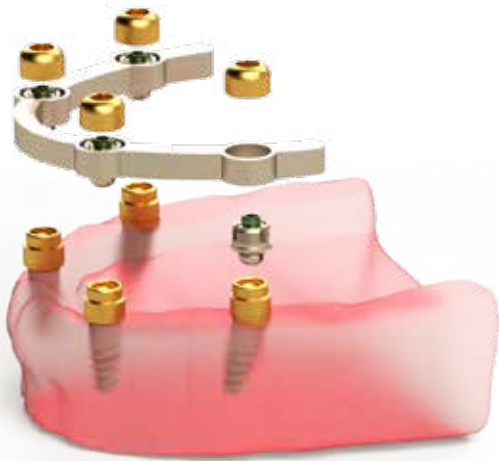


Clicq-Multi Base™ On X

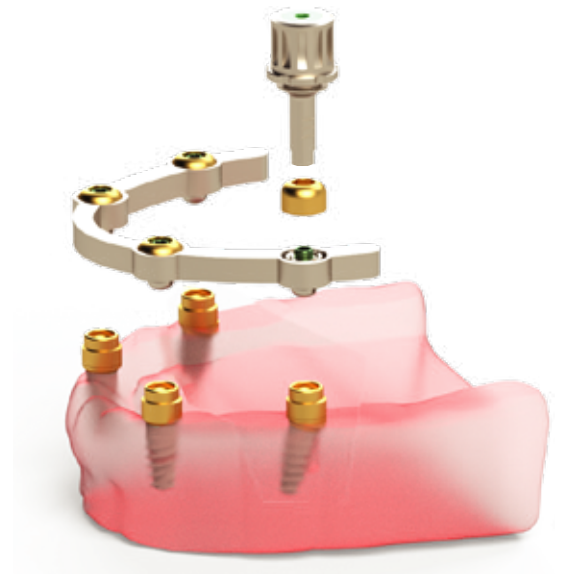
The intelligently designed adjustable adapter system for milled bar overdentures

Step by Step

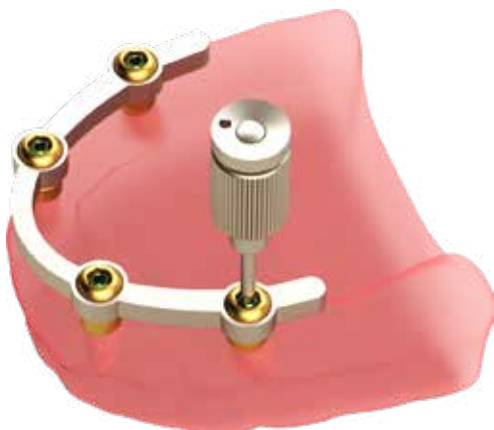
- 05** To attach the bar adapters to the overdenture bar, one ball attachment and one cap will be needed for each of the holes of the bar.



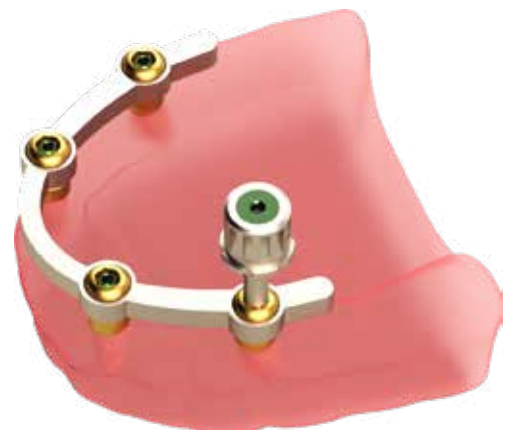
- 06** Place a ball attachment below a hole in the overdenture bar and a cap above the hole. Insert a 2.5mm hex screwdriver into the top of the cap and rotate twice so as to lightly attach the two parts but not tighten them entirely. This loose attachment is crucial, as it allows the ball mechanism to properly align the overdenture bar in the mouth, correcting any micro-defects in the positioning and angulation of the holes of the bar, which are a common result of the milling process. Repeat this step for each of the remaining holes of the bar.



- 07** Place the bar over the implant so that the bar and base adapters are aligned. Using a 1.25mm hex screwdriver, complete the fastening of the overdenture bar to the implants. When the green screw inside of the bar adapter is tightened, this will cause the ball mechanism that sits inside of the base to expand, securing the overdenture bar into place.



- 08** Once the overdenture bar is properly aligned, a final tightening with a 2.5 mm hex screwdriver will complete the restoration.



Clicq-Multi Base™ On X

The intelligently designed adjustable adapter system for milled bar overdentures

Step 05 to 08 by Section View



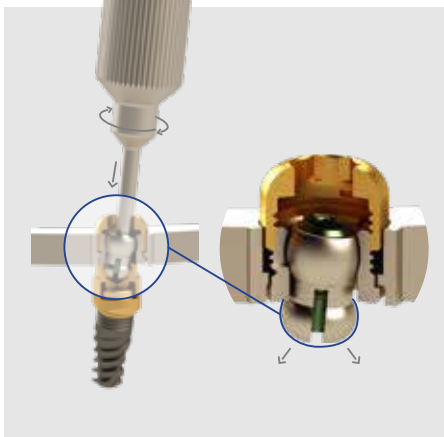
A The Clicq Multi-Base™ On X system is composed of three parts: the base adapter, which attaches directly to the implant base, and then the bar adapter and cap, which attach to the overdenture bar. The ball attachment, which is located on the underside of the bar adapter, is the expanding mechanism that is responsible for securing the overdenture bar to the implant in the correct position desired.

B To fasten the overdenture bar to the implant, a smaller 1.25mm hex screwdriver is first used to expand the internal ball mechanism and fix the two parts together. A larger 2.5mm hex screwdriver can then be used to lock the connection and stably secure the bar to the implant. The overdenture bar with its locked adapters can then be easily removed and inserted by loosening only the smaller connection with the 1.25mm driver.

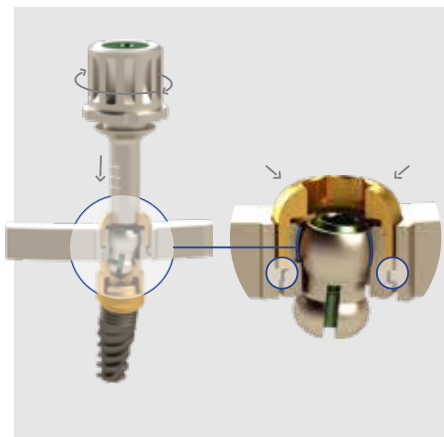
The design of the Clicq Multi-Base™ On X's allows for an angulation correction of the overdenture bar to implant base connection up to 5°. This correction occurs after insertion and securing of the bar to the base. To remove the overdenture bar containing an angled connection, insert the 1.25mm driver into the screw at the same angle as the connection and loosen.



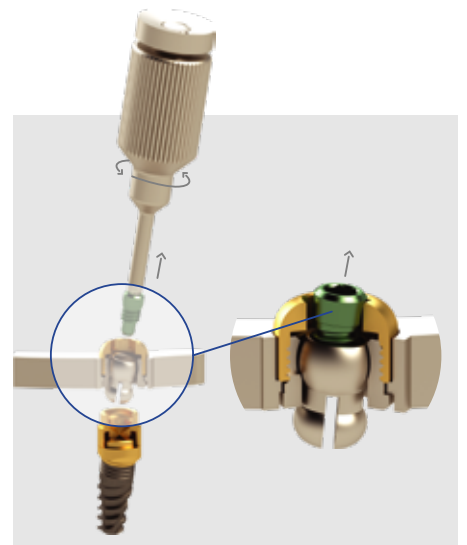
C How the bar locking mechanism works



A screwdriver is used to activate the ball-locking mechanism, fixing the base adapter to the overdenture bar.



A larger screwdriver can then be used to tighten the bar adapter and lock it to the overdenture bar at a selected angulation. This locked position between adapter and bar is retained until the external system is unscrewed.

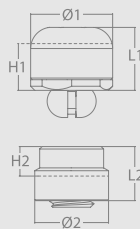


Once both screws have been tightened and the system has been locked, the angulation memory of the locking mechanism permits the overdenture bar to be easily removed from and inserted into the mouth using the smaller driver.

Clicq-Multi Base™ On-X

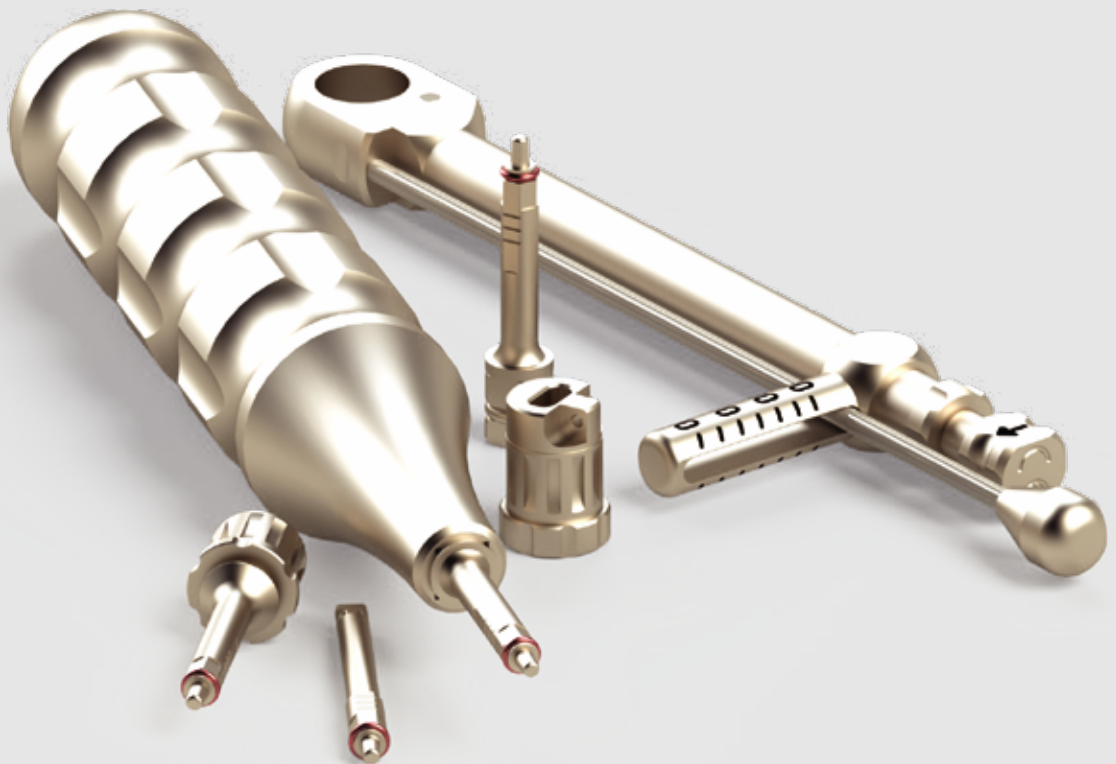


Clicq Multi Base™ Bar Adapter



L1/L2	3.85 mm / 3.3 mm
H1/H2	2.85 mm / 1.8mm
Ø1/Ø2	5 mm / 4.5mm
REF	TBK-BADPUG
Web ID	4510651

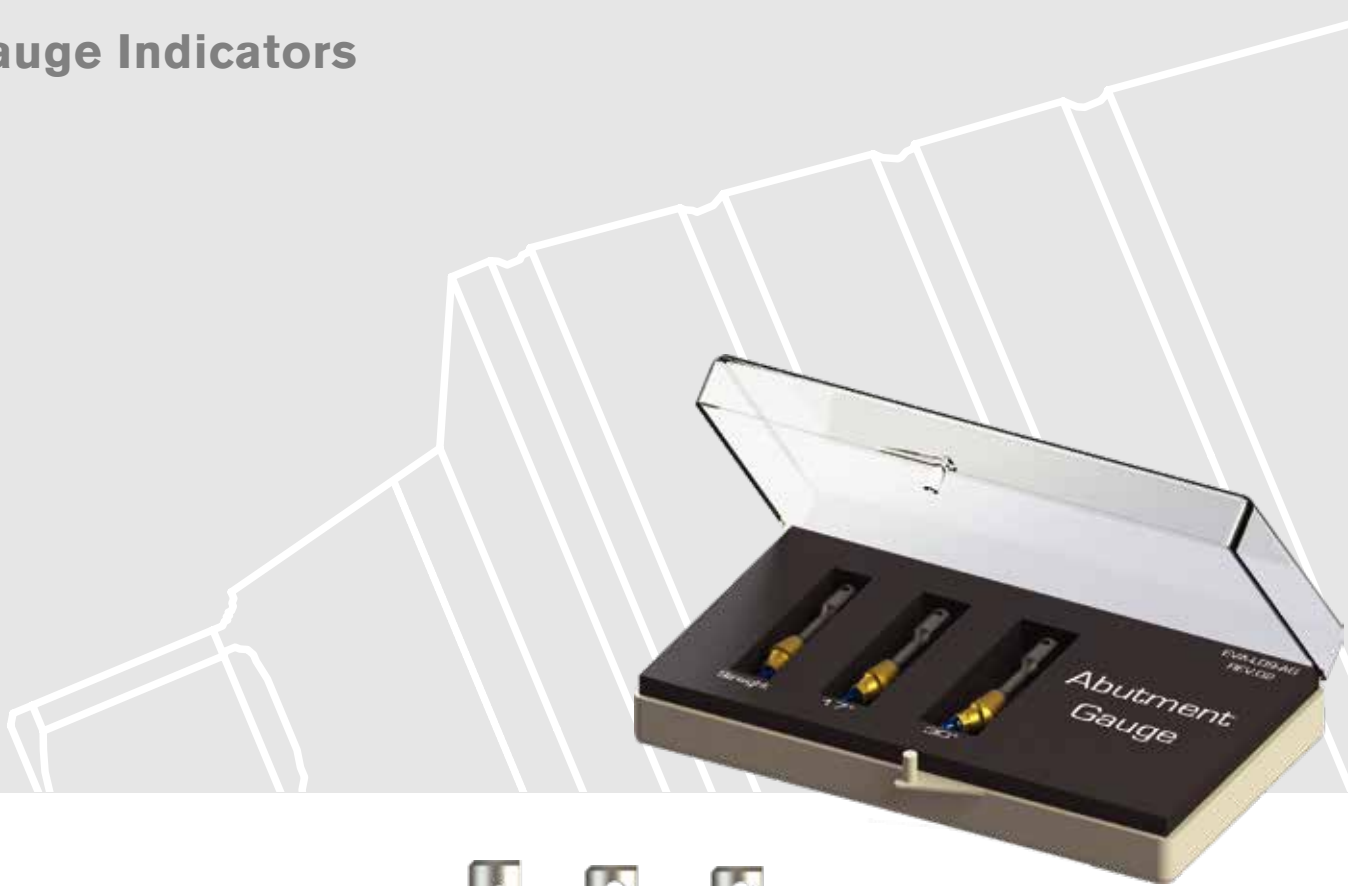
9



Surgical Instruments

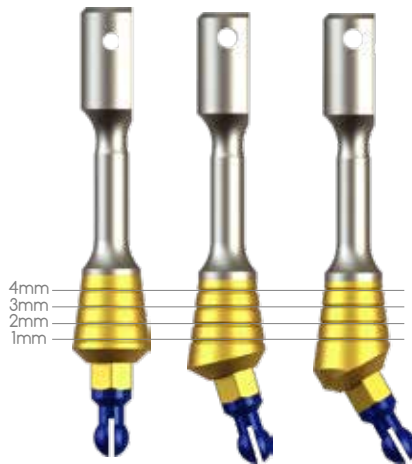
- Gauge Indicator Kit
- Surgical Tool Box
- Drills / Burs / Stoppers
- Implant Drivers
- Screwdrivers
- Ratchet / Ratchet Adapter / Parallel Pin

Gauge Indicators



Abutment Gauge Kit (3 PCS)

REF	AG-SV-RPK
Web ID	2110991-271
Abutment Gauge Straight	- 1 pcs
Abutment Gauge Angled 17°	- 1 pcs
Abutment Gauge Angled 30°	- 1 pcs



Abutment Gauge Straight

REF	AG-SV-RP00
Web ID	2110992-271

Abutment Gauge 17°

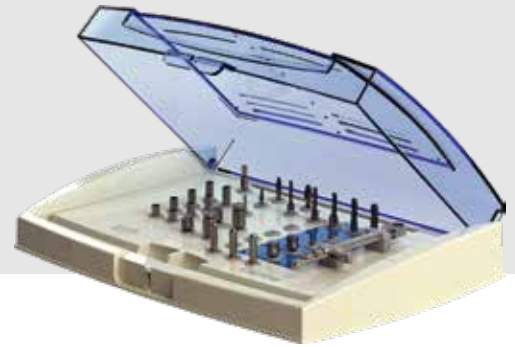
REF	AG-SV-RP1700
Web ID	2110993-271

Abutment Gauge 30°

REF	AG-SV-RP3000
Web ID	2110994-271

Surgical Tool Box

Components



Our surgical kits include a torque ratchet, unlike many other systems which provide you with a regular ratchet. Our kits also feature two sets of universal stoppers, which fit all drill diameters. Why two? First off, you don't have to take the stoppers on and off after each drilling, which saves time and is simply more convenient and safe. In addition, having two stopper sets allows you to have a backup; whether one gets misplaced or simply needs to be cleaned at the time of procedure, you'll always be able to move forward with your work. The drivers and drills in our kits are also color coded, which makes your work more organized and efficient. Our drills are coated with DLC, a wear-resistant, diamond-like carbon finish that enhances osteotomy drill control.



Surgical Tool Box - Lamina

REF	RSB-LM-SK
Web ID	7850141

Implant Drivers

Ratchet Driver for Implant:

RDIO-SV-RPS
RDIO-SV-RPL

Motor Mount for Implant:

MDIO-SV-RPS
MDIO-SV-RPL

Screw Drivers

Ratchet Driver for Screw:

RDS-SV-S
RDS-SV-L

Motor Mount for Screw:

MDS-SV-L

Hand Driver for Screw:

HSDA-SV-S
HSDA-SV-L

Drills & Tools

Lance Drill:

LD-2.0-06

Drill Extender:

DEXT

Twist Step Drills:

TSD-2.4-15
TSD-2.7-15
TSD-3.1-15
TSD-3.7-15
TSD-4.4-15

Hard Bone Drills:

HBD-3.5
HBD-5.0

Stoppers for Twist Drills:

DSTD-13 *2
DSTD-11.5 *2
DSTD-10 *2
DSTD-8 *2

Parallel Pin:

PPN *3



Torque Ratchet 0-70 Ncm:

RT-70ST



Surgical Drills & Stoppers



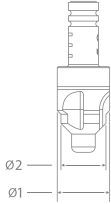


Drill Extender

	
L	12.8 mm
REF	DEXT
Web ID	7750111

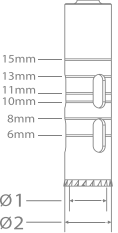


Lance Drill

	
L	6 mm
REF	LD-2.0-06
Web ID	7110421

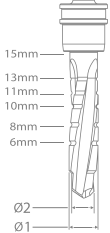





Hard Bone Drills

		
Ø1	3.5 mm	5.0 mm
Ø2	3.0 mm	4.2 mm
REF	HBD-3.5-3.0	HBD-5.0-4.2
Web ID	7110311	7110321

Trephine Burs

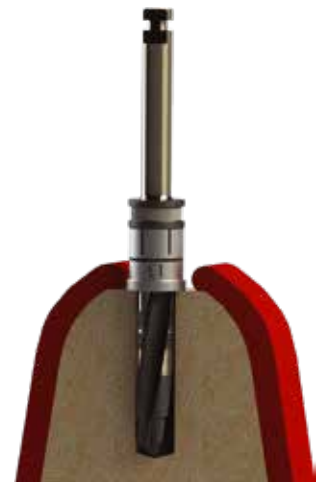
		
Ø1	3 mm	4 mm
Ø2	4 mm	5 mm
REF	TB-3.0-4.0	TB-4.0-5.0
Web ID	7110511	7110521

Twist Step Drills

					
Ø1	2.4mm	2.7mm	3.1mm	3.7mm	4.4mm
Ø2	2.0mm	2.4 mm	2.7 mm	3.1 mm	3.7 mm
REF	TSD-2.4-15	TSD-2.7-15	TSD-3.1-15	TSD-3.7-15	TSD-4.4-15
Web ID	7110611	7110621	7110631	7110641	7110651

Drill Stoppers

	For Implants in Lengths:				
	13mm	11.5mm	10mm	8mm	6.5mm
					
REF	DSTD-13	DSTD-11	DSTD-10	DSTD-8	DSTD-6
Web ID	7110219	7110217	7110215	7110213	7110211

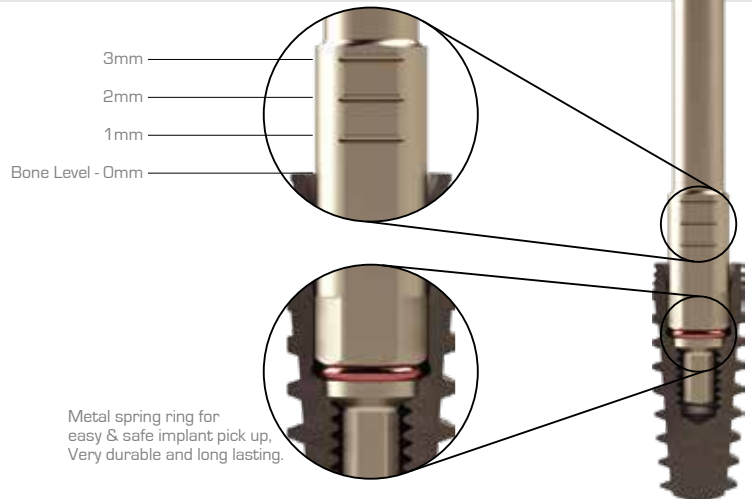


Implant Drivers



Motor Mount for Implant - Self Loading

	For Hex 2.42mm	
L	22 mm	28 mm
REF	MDIO-SV-RPS	MDIO-SV-RPL
Web ID	7570111-271	7570116-271



Ratchet Driver for Implant - Self Loading

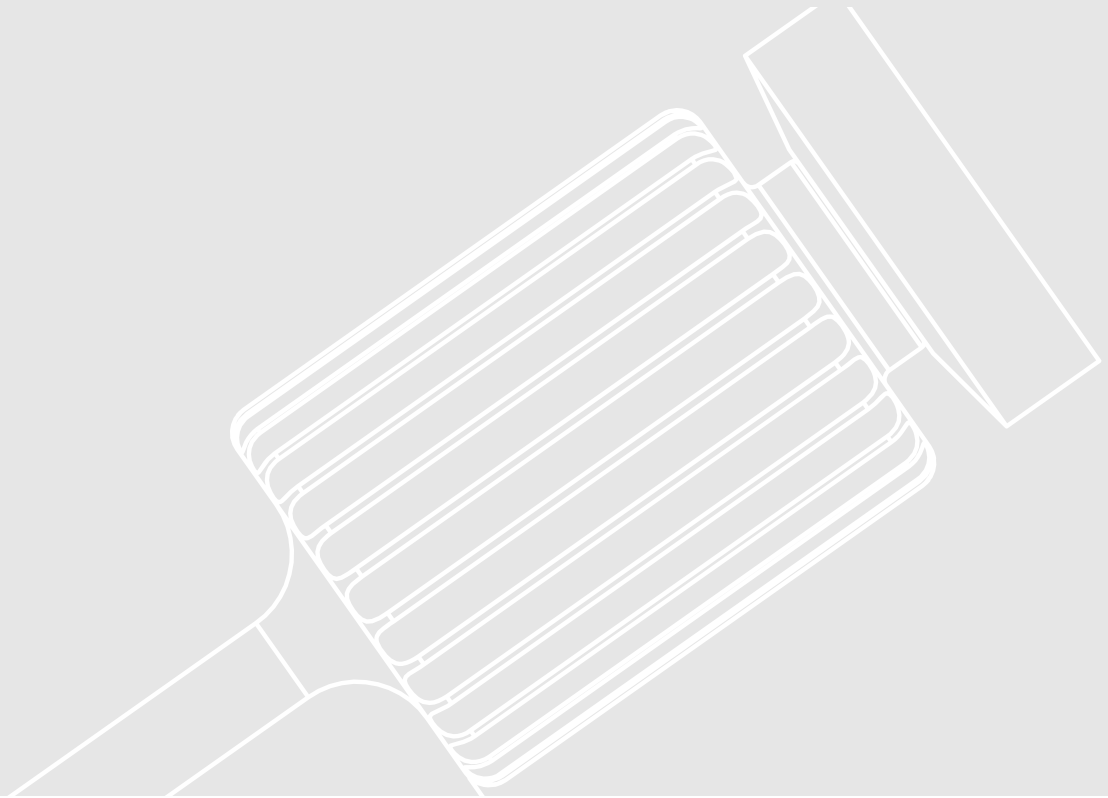
	For Hex 2.42mm	
L	12 mm	17 mm
REF	RDIO-SV-RPS	RDIO-SV-RPL
Web ID	7570123-271	7570126-271

Ratchet Driver for Implant - Self Loading

	For Hex 2.42mm	
L	12 mm	17 mm
REF	TDIO-SV-RPS	TDIO-SV-RPL
Web ID	7570131-271	7570133-271

* for HDR Hand Driver or Square Ratchet Driver

Screwdrivers



Hand Screwdriver

	1.25 mm		
L	10 mm	15 mm	30 mm
REF	HSDA-SV-S	HSDA-SV-L	HSDA-SV-XL
Web ID	7740121	7740123	7740126

Motor Mount for Screw

	1.25 mm	
L	22 mm	28 mm
REF	MDS-SV-S	MDS-SV-L
Web ID	7740151	7740153

Ratchet Driver for Screw

	1.25 mm	
L	12 mm	17 mm
REF	RDS-SV-S	RDS-SV-L
Web ID	7740173	7740176

Ratchet Driver for Screw - Self Loading

	1.25 mm	
L	12 mm	18 mm
REF	TDS-SV-S	TDS-SV-L
Web ID	7740191	7740193

• for HDR Hand Driver or Square Ratchet Driver

Ratchet / Ratchet Adapter / Parallel Pin



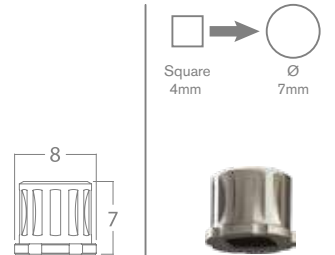
Torque Ratchet



● Torque Ratchet 0-70 Ncm
Black Marking, Ø - 7mm

REF	RT-70ST
Web ID	7750411

Ratchet Adapter



REF	TS-ADP-7
Web ID	7750185

Hand Driver suitable for Square Ratchet Driver

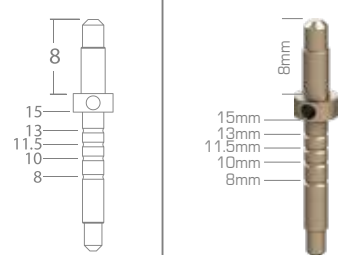


■ Square 4mm

Ratchet driver not Incd.

REF	HDR
Web ID	7750251

Parallel Pin Guide



REF	PPN
Web ID	7750141

 **Ritter Implants GmbH & Co. KG**

Freiburger Str. 45, 88400 Biberach, Germany
Tel: +49.7351.5292510

Headquarters: Edison Medical
4310 West Avenue, San Antonio, TX 78213, USA
Tel: +1.210.9793389 | edisonmed.com



dibay.co