

Artic[®]

CATALOG

| **2020**

Em
By Ritter Implants

Edison Medical.

By Ritter Implants



Table of Content.



| **Artic® NP Conical Connection.**

9 - 15

Implant's Characteristics	9
Implant's Surface	10
Packaging & Labeling	11
Implant Dimensions	13
Recommended Tightening Torque	14
Drilling Protocol	15



| **Impression & Lab Components.**

16 - 19

Lab Analogs	17
Impression Copings	18
Castable & UCLA Abutments	19



| **Dental Abutments.**

20 - 27

Healing Abutments	22
Temporary Abutments	23
Titanium Abutments	24
Zirconia Abutments	26



| **Clicq™ PreSSION Transfer Abutments.**

28 - 33

Professional & Starter Kit	30
Straight Abutments	31
Angled Abutments	32
Components	33



| **Pop-Clicq™ Overdenture Attachments.**

34 - 41

Professional Kit	36
Mini Kits	37
Components	38
Pop-Clicq™ - Bar	39
Bar Components	40



| **Multi-Clicq™ On-X.**

42 - 51

Professional & Starter Kit	44
Mini Kits	45
Single Unit	46
Components	47
Clicq™ - Multi Bar	49
Bar Components	50



| **Digital Dentistry.**

52 - 77

Scan Abutments & Pre-Milled Blank	53
---	----

Uni-Base™ - One Piece Ti-Base

54 - 59

Characteristics	55
Professional Kit	56
Straight Titanium Bases	57
Angled Titanium Bases	58
Uni-Base™ Shape - Angled Titanium Bases	59

Clicq-Base™ - 2 Piece Ti-Base

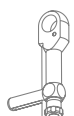
60 - 73

Introduction	61
Connection	62
Step by Step - Anterior	63
Step by Step - Posterior	65
Professional Kit	67
Lab Kit	68
Straight Titanium Bases	69
Angled Titanium Bases	70
Components	71

Clicq-Multi Base™ - On-X

74 - 79

Step by Step	76
Clicq Multi Base™ Bar Adapter	79



| **Surgical Instruments.**

80 - 86

Gauge Indicators	81
Surgical Tool Box	82
Drills / Burs / Stoppers	83
Implant Drivers	84
Screwdrivers	85
Ratchet / Ratchet Adapter / Parallel Pin	86



LET'S MAKE
SOMEONE SMILE.



Our Story.

Our company was founded on the premise that the dental implant market could be simplified - In the early professional years of the founder, he discovered that the overwhelming amount of implant options was a source of confusion and complication for many professionals. Realizing that there was no single source to turn to that satisfied all the brand and implant system options, the founder was driven to fill that void with an entirely new concept. Rather than create a marketplace for all brands where so many of the same inherent problems that come with too many options would continue to exist, a new vision was carried out. Edison Medical was created to serve as an in-house production of a range of products that are exclusively distributed by the online platform dibay. Together the two companies are simplifying the implant market for professionals by creating the highest quality products with compatibility across multiple platforms, and costing significantly less than the competition.

Quality

Quality is a cornerstone of the Edison Medical philosophy, and a great deal of resources are invested ensuring that it is maintained to the highest standard. Our German-based production sources the finest quality raw materials, employs meticulous methods of quality control and product testing, and collaborates regularly with our R&D team to push the creative process and continue to release new and innovative designs. All of our products are FDA-cleared and regulated by a number of governing bodies.

Vision

Goals and visions are what perpetually drive a company forward and help keep focus. We at Edison Medical aim to be the worldwide leader in online dental implant solutions. We are devoted to building and maintaining active relationships with our clients to improve and simplify their practices and workflows.

Check Out Our Fresh New Look.

We decided it was time for Edison to get a well-deserved makeover.

(Deserved for you and for us!)

Our new catalog is designed to be intuitive,
easy to navigate and user friendly.

**Have a look around,
& welcome to the new Edison.**



Implant Characteristics



Platform Switching

Prevent crestal bone loss, which is fundamental for long-term success and stability. It increases the volume of soft tissue around the implant platform, helping to improve the aesthetic final result. As well reduces the amount of stress transferred from the abutment to the bone.



Initial Stability

Progressive threads with compression properties and drilling blades on the apex enable to adjust the implant position during placement.



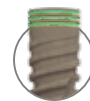
Cutting Edges

There are two helix cutting blades that extend to the middle of the implant. This self tapping behavior of the implant allows a smooth penetration with minimal bone destruction. The rounded implant apex reduces the risk of bone / sinus / nerve perforation



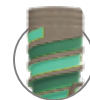
Simplicity!

One implant design various connections



Micro Rings

Tapered coronal design and micro rings designed to reduce bone stress and minimize bone resorption to tissue volume.



Dual Threads

Tapered implant body & core with dual threads and optimal pitch of 1.0mm for faster implant insertion with better stability.



Safe Insertion

Curved passive apex allows safe implant insertion without the risk of damage to the surrounding.



Implant Surface

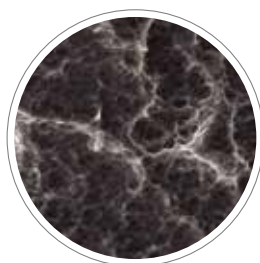
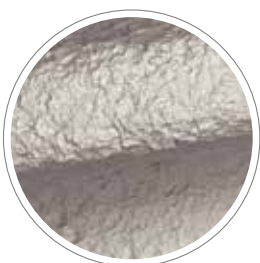
Implant Surface

The relationship of an implant's surface to the osteotomy site is a crucial determining factor in the implant's mechanical stability. Surface roughness affects osseointegration potential, and can be achieved by either chemical (acid etching) or mechanical (particle blasting) treatment. Proper roughness will in turn provide a microsurface that minimizes osseointegration time and maximizing likelihood of implant success. The microsurface of an implant can also be modified at the nano level to create a hydrophilic and osteoconductive surface, promoting better osseointegration by way of active ion interaction with blood plasma. Macrogeometry of the implant's surface also plays a fundamental role in implant success, with thread pattern and thread pitch affecting the quantity of bone around the implant and the degree of bone apposition onto the implant threads.

Regarding material composition of implants, there has been a range of metallic materials historically used in medical and dental applications. However, titanium's suitability for a variety of surface treatments, along with its light-weight, high strength, corrosion-resistant and highly biocompatible properties make it the ideal metallic element that is most widely used for dental implant production.

Edison Medical uses a unique process of large-grit sandblasting to prepare primary surface roughness, followed by acid-etching (SLA) to clear residual sandblast particles and generate a secondary roughness. The resulting micro- and nano-surface structures are optimal for bone adhesion and maximized success rate of each implant.

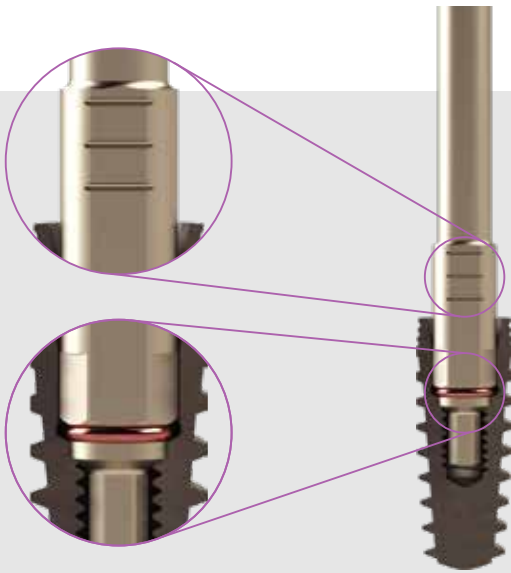
Implant Micro Surface



TI 6AL 4V-ELI Titanium Alloy for Implants
Made in Germany

Packaging & Labeling

Implants sit inside of a titanium sleeve that is located in a plastic tube. Implants are mountless in their packaging, facilitating easy pick-up with any driver. The durable plastic outer packaging serves as protective housing.



Recommended insertion torque: \varnothing 3.5mm 35-50 NCM.
Procedure recommended by Ritter Implants cannot replace the judgment and professional experience of the surgeon. Adequate bone is needed to support the implant with width and height being the primary dimensions of concern. In situations of torque levels lower than 30 NCM an unloaded healing period of 4-6 months is recommended to enable osseointegration.

- Manual insertion by a driver or ratchet



- Contra-angle insertion by a motor

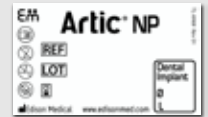
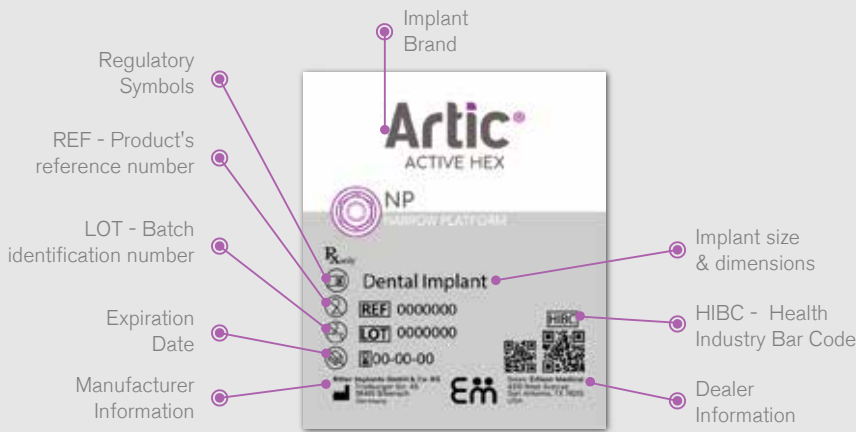


Packaging & Labeling

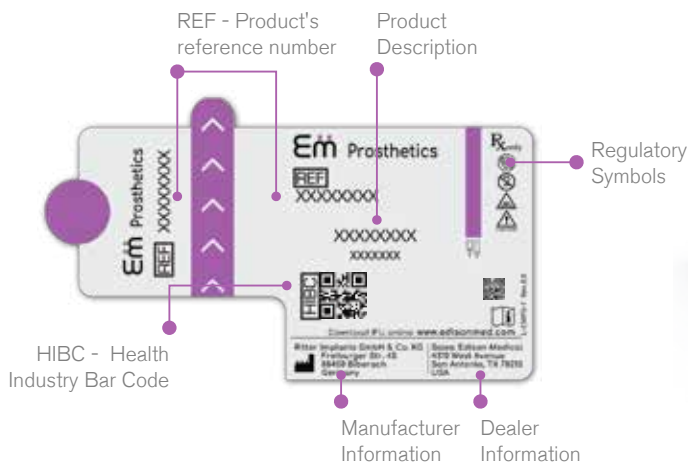
Our packaging was designed to catch your eye and be smooth to the touch. Everything is clearly labeled and color coded for ease of use and identification purposes. High quality materials are used to ensure your product arrives to you in the same condition in which it left the production facility.



Implant Ø Color Coding



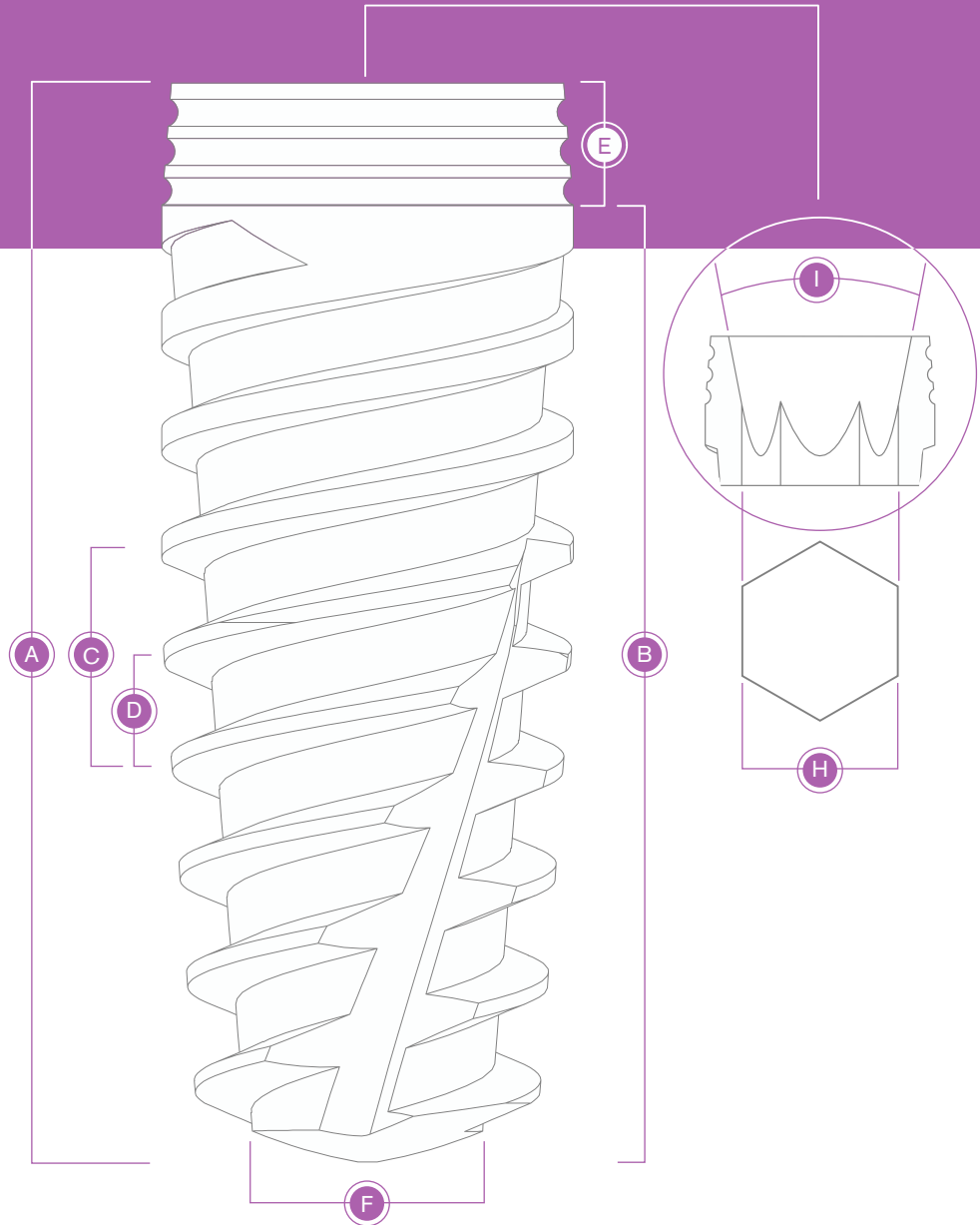
Porsthetics Packaging and Labeling



Implant- Dimensions



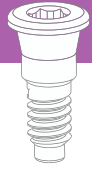
Anodized & color coded
Implant connection for
easy identification.



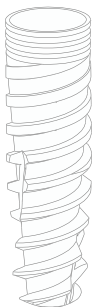
Platform Ø 3.5 mm	A Overall Height	B Thread Height	C Thread Pitch	D Thread Spacing	E Collar Height	F Tip Diameter	H Hex Size	I Platform Angle
8	8	6.8	2.2	1.1	1.2	2.1	2.25	24
10	9.5	8.3	2.2	1.1	1.2	2.1	2.25	24
11.5	11	9.8	2.2	1.1	1.2	2.1	2.25	24
13	12.5	11.3	2.2	1.1	1.2	2.1	2.25	24
15	14.5	13.3	2.2	1.1	1.2	2.1	2.25	24

All dimensions in millimeters

Recommended Tightening Torque



Cover Screw
8-10 NCM



Ø 3.5mm
35-50 NCM

Titanium Healing Abutments:

8-10 NCM



Temporary Titanium Abutments:

20 NCM



Titanium / Peek / Zirconia Abutments:

22 NCM Straight/Angled



Pop-Clicq™ Overdenture Abutments:

22 NCM Straight/Angled



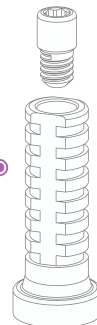
Multi-Clicq™ - Multi-Unit Abutments:

22 NCM Straight/Angled



Multi Unit Components:

22 NCM



Artic® NP Conical Connection Drilling Protocol



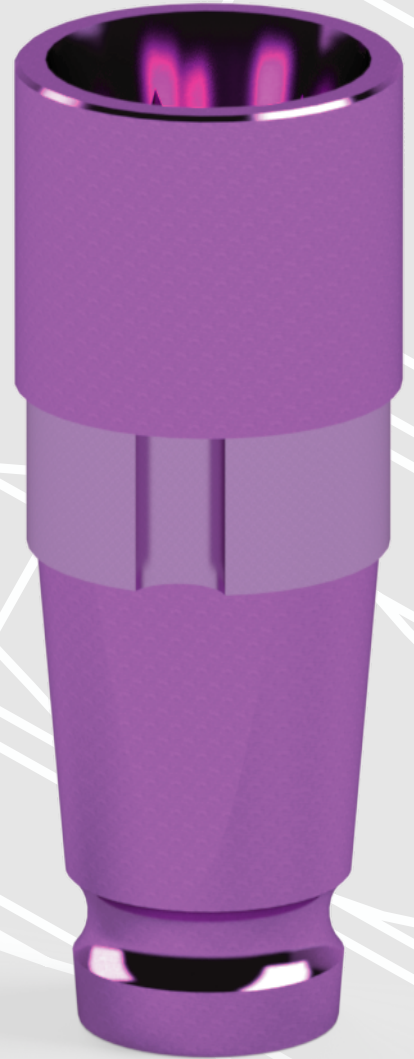
Artic® Narrow Platform • Ø 3.5 mm

L	REF
8mm	AR-NA-NP3508
10mm	AR-NA-NP3510
11.5mm	AR-NA-NP3511
13mm	AR-NA-NP3513
15mm	AR-NA-NP3515

Drilling Procedure

	For all Bone Types	For all Bone Types	I-II Bone Types	I-II Bone Types	200-500
RPM	1200-1500	900-1200	500-700	400-700	200-500
Drills Diameter Ø(mm)	2.0 Lance Drill	2.4	2.7	3.1	3.5

1



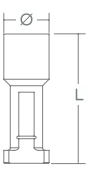

Impression & Lab Components

- Lab Analogs
- Impression Copings
- Castable & UCLA Abutments

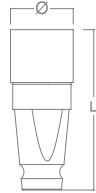

Lab Analogs



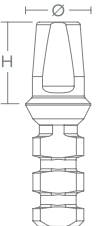



Titanium Implant Analog

	
L	10 mm
Ø	3.5 mm
REF	IA-NA-NP
Web ID	1120011-274

Digital Implant Analog

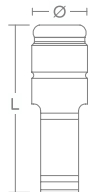

	
L	9 mm
Ø	3.5 mm
REF	DIA-NA-NP
Web ID	1120015-274

Clicq™ Pression - Abutment Analog

			
H	4 mm	6 mm	8 mm
Ø	4.8 mm	4.8 mm	4.8 mm
REF	TAP-AN-S	TAP-AN-M	TAP-AN-L
Web ID	4120011	4120021	4120031

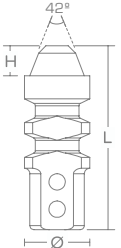

See Page - 33

Pop-Clicq™ - Abutment Analog

	
L	12 mm
Ø	4.1 mm
REF	LOCW-AN
Web ID	4210011

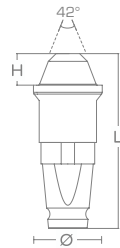

See Page - 38

Multi-Clicq™ - Abutment Analog

	
L	13.5 mm
H	2.2 mm
Ø	4.8 mm
REF	MUL-KS-AN
Web ID	4410111

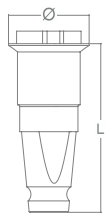

See Page - 47

Multi-Clicq™ - Digital Analog

	
L	12 mm
H	2.2 mm
Ø	4.8 mm
REF	MUL-KS-DAN
Web ID	4410115

See Page - 47

Clicq-Base™ - Digital Analog

	
L	10 mm
Ø	4.5 mm
REF	TBK-AN
Web ID	4130011

See Page - 71

Impression Copings



Closed Tray Impression Coping

L	8.5 mm	11.5 mm
Ø	3.8 mm	3.8 mm
REF	CT-NA-NPSN	CT-NA-NPLN
Web ID	1120021-274	1120022-274

Open Tray Impression Coping

L	12 mm	
Ø	3.6 mm	
REF	OT-NA-NP	
Web ID	1120031-274	

Clcq™ PreSSION - Closed Tray Plastic Transfer

L	10 mm
Ø	5.6 mm
REF	TAP-PT
Web ID	4120061

See Page - 33

Pop-Clcq™ - Pick-Up Impression Transfer

L	4.5 mm	
Ø	5.65 mm	
REF	LOCW-PU	
Web ID	4210021	

See Page - 38

Multi-Clcq™ - Open Tray Transfer

L1/L2	10.7 / 14.7 mm	
Ø	4.8 mm	
REF	MUL-KS-OTUG	
Web ID	4430151	

See Page - 47

Multi-Clcq™ - Closed Tray Plastic Transfer

L	7.2 mm
Ø	4.8 mm
REF	MUL-KS-PUUG
Web ID	4430141

See Page - 47

Castable & UCLA Abutments



Cobalt Chrome Abutment / UCLA

	<p>Anti Rotational</p>	<p>Rotational</p>
L	10.5 mm	10.5 mm
Ø	4.5 mm	4.5 mm
REF	ABZ-NA-NPCC	ABZ-NA-NPCCR
Web ID	1120036-274	1120037-274

Plastic Castable Abutment

	<p>Anti Rotational</p>	<p>Rotational</p>
L	9 mm	9 mm
Ø	3.8 mm	3.8 mm
REF	PAC-NA-NP	PAC-NA-NPR
Web ID	1120038-274	1120039-274

Clicq™ Pression - Waxing Sleeve

	<p>Anti Rotational</p>	<p>Rotational</p>
L	8.5 mm	8.5 mm
Ø	4.6 mm	4.6 mm
REF	TAP-WS	TAP-WSR
Web ID	4120051	4120056

See Page - 33

Multi-Clicq™ - Cobalt Chrome UCLA

L	12.5 mm
H	2.3 mm
Ø	4.8 mm
REF	MUL-KS-SLVCCUG
Web ID	4430181

See Page - 47

Multi-Clicq™ - Castable Plastic Sleeve

L	12 mm
Ø	4.8 mm
REF	MUL-KS-SLVPSUG
Web ID	4430191

See Page - 47

2

Dental Abutments

- Healing Abutments
- Temporary Abutments
- Titanium Standard Abutments
- Titanium Anatomic Abutments
- Zirconia Abutments



“

**WHAT YOU ARE
WILL SHOW
IN WHAT YOU DO.**

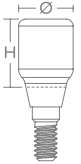




Thomas A. Edison

”

Healing Abutments

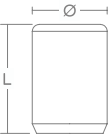





Titanium Healing Abutment

				
H	3 mm	5 mm	3 mm	5 mm
Ø	4 mm	4 mm	5 mm	5 mm
REF	HA-NA-NP30N	HA-NA-NP50N	HA-NA-NP30	HA-NA-NP50
Web ID	1120041-274	1120042-274	1120043-274	1120044-274



Clicq™ Pression - Healing Cap

Medical Peek - Classix

			
L	6 mm	8 mm	10 mm
Ø	5.5 mm	5.5 mm	5.5 mm
REF	TAP-HA-S	TAP-HA-M	TAP-HA-L
Web ID	4120041	4120042	4120043

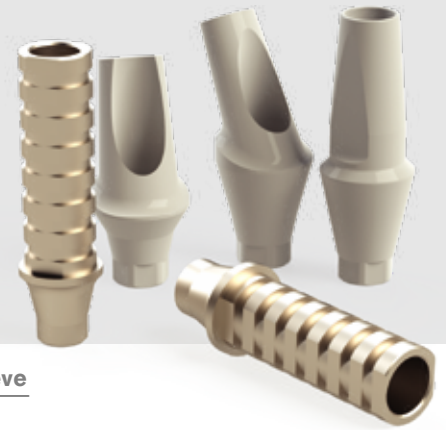
See Page - 33

Multi-Clicq™ - Healing Cap

	
L	5.2 mm
Ø	4.8 mm
REF	MUL-KS-HAUG
Web ID	4430131

See Page - 47

Temporary Abutments



Temporary Titanium Abutment

	Anti-Rotational	Rotational
L	12 mm	12 mm
Ø	4 mm	4 mm
REF	TTA-NA-NP	TTA-NA-NPR
Web ID	1120051-274	1120052-274

Multi-Clicq™ - Temporary Titanium Sleeve

L	12 mm
Ø	4.8 mm
REF	MUL-KS-SLVTIUG
Web ID	4430211

See Page - 48

Temporary Peek - Straight Abutment

Medical Peek - Classix

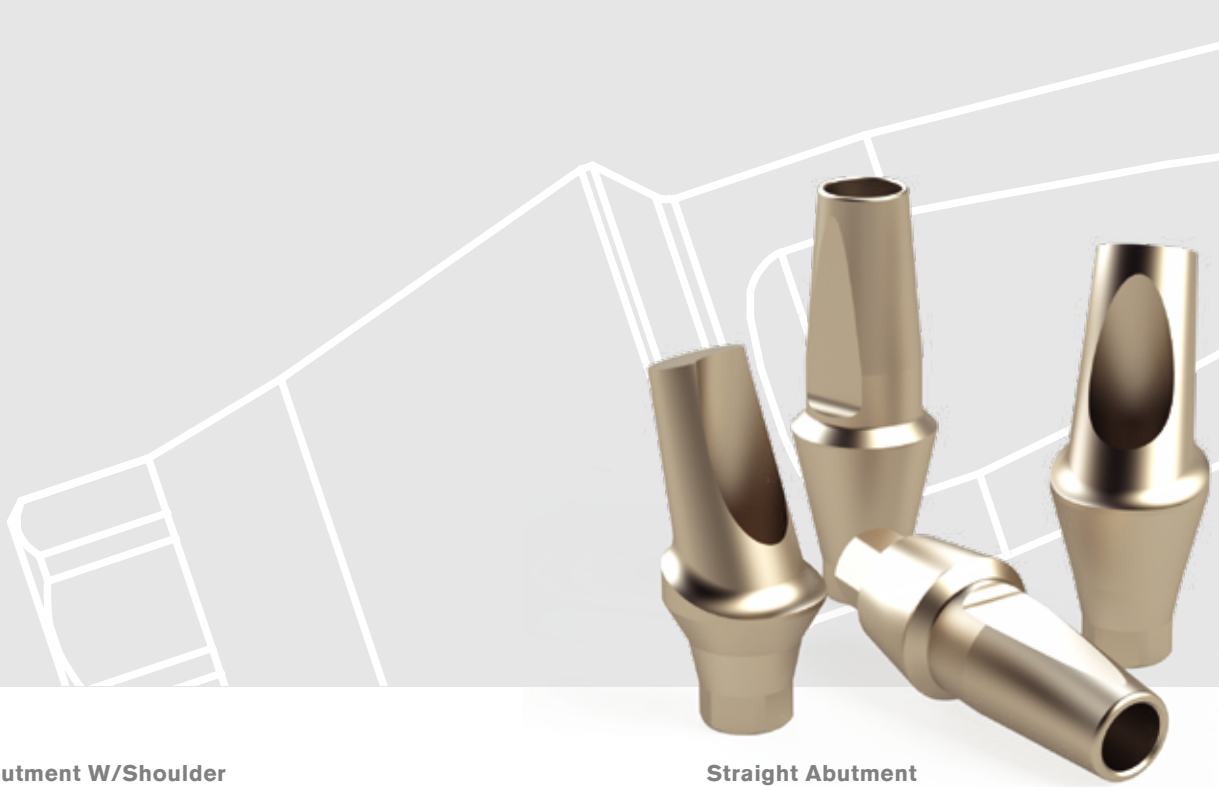
H	1.5 mm	3 mm	4.5 mm
Ø	4.8 mm	4.8 mm	4.8 mm
REF	PA-NA-NP15	PA-NA-NP30	PA-NA-NP45
Web ID	1120061-274	1120062-274	1120063-274

Temporary Peek - Anatomic Angled Abutment -15°

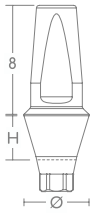




Medical Peek - Classix

L	8.5 mm	10 mm	11.5 mm
H	1.5 mm	3 mm	4.5 mm
Ø	5 mm	5 mm	5 mm
REF	PAA-NA-NP1515	PAA-NA-NP1530	PAA-NA-NP1545
Web ID	1120071-274	1120072-274	1120073-274

Titanium Abutments



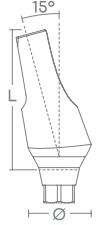


Straight Abutment W/Shoulder

				
H	1.5 mm	3 mm	4.5 mm	
Ø	4.8 mm	4.8 mm	4.8 mm	
REF	TA-NA-NP15	TA-NA-NP30	TA-NA-NP45	
Web ID	1120081-274	1120082-274	1120083-274	

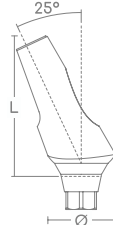


Straight Abutment

			
L	10 mm	10 mm	
Ø	3.8 mm	4.5 mm	
REF	SA-NA-NPN	SA-NA-NP	
Web ID	1120087-274	1120089-274	

Angled Abutment 15°

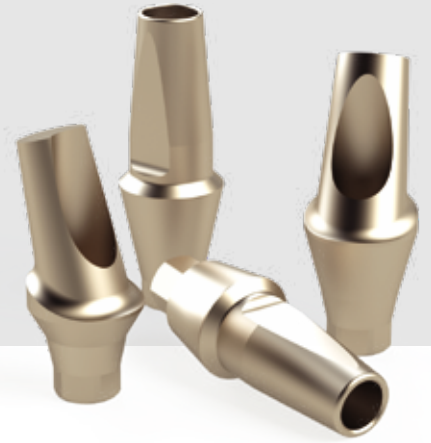
		
L	10 mm	
Ø	4.8 mm	
REF	TA-NA-NP1500	
Web ID	1120111-274	

Angled Abutment 25°

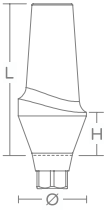




		
L	10 mm	
Ø	4.8 mm	
REF	TA-NA-NP2500	
Web ID	1120131-274	

Anatomic Abutments

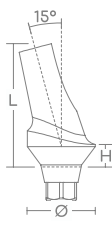




Titanium Abutments



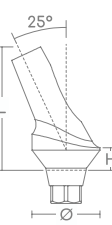

Anatomic Straight Abutment

				
L		9.5 mm	11 mm	12.5 mm
H		1.5 mm	3 mm	4.5 mm
Ø		5 mm	5 mm	5 mm
REF		TAA-NA-NP15	TAA-NA-NP30	TAA-NA-NP45
Web ID		1120091-274	1120092-274	1120093-274

Anatomic Angled Abutment -15°

				
L		8.5 mm	10 mm	11.5 mm
H		1.5 mm	3 mm	4.5 mm
Ø		5 mm	5 mm	5 mm
REF		TAA-NA-NP1515	TAA-NA-NP1530	TAA-NA-NP1545
Web ID		1120121-274	1120122-274	1120123-274

Anatomic Angled Abutment -25°

				
L		8.5 mm	10 mm	11.5 mm
H		1.5 mm	3 mm	4.5 mm
Ø		5 mm	5 mm	5 mm
REF		TAA-NA-NP2515	TAA-NA-NP2530	TAA-NA-NP2545
Web ID		1120141-274	1120142-274	1120143-274

Zircocam™

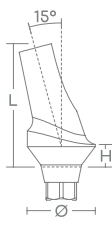




Zirconia Abutments



Zircocam™ - Anatomic Straight Titanium Abutment

				
L		10.5 mm	11.5 mm	12.5 mm
H		1.5 mm	3 mm	4.5 mm
Ø		5.5 mm	5.5 mm	5.5 mm
REF		ZAA-NA-NP15	ZAA-NA-NP30	ZAA-NA-NP45
Web ID		1120221-274	1120222-274	1120223-274

Zircocam™ - Anatomic Angled Abutment 15°

				
L		10 mm	11 mm	12 mm
H		1.5 mm	3 mm	4.5 mm
Ø		5.5 mm	5.5 mm	5.5 mm
REF		ZAA-NA-NP1515	ZAA-NA-NP1530	ZAA-NA-NP1545
Web ID		1120231-274	1120232-274	1120233-274

Zircocam™ - Anatomic Angled Abutment 25°

				
L		9 mm	10 mm	11 mm
H		1.5 mm	3 mm	4.5 mm
Ø		5.5 mm	5.5 mm	5.5 mm
REF		ZAA-NA-NP2515	ZAA-NA-NP2530	ZAA-NA-NP2545
Web ID		1120235-274	1120236-274	1120237-274

Sit Back And Relax, **We've Got You Covered.**

It is of utmost importance to provide exceptional service to our customers and see it as an integral part of the formula for success. Attentive listening and accommodating ongoing customer needs is what we believe builds a solid and successful business relationship.



3



Clicq™ - Pression

Transfer Abutments

- Professional & Starter Kit
- Straight Abutments
- Angled Abutments
- Components

Clicq™ Pression Transfer Abutments

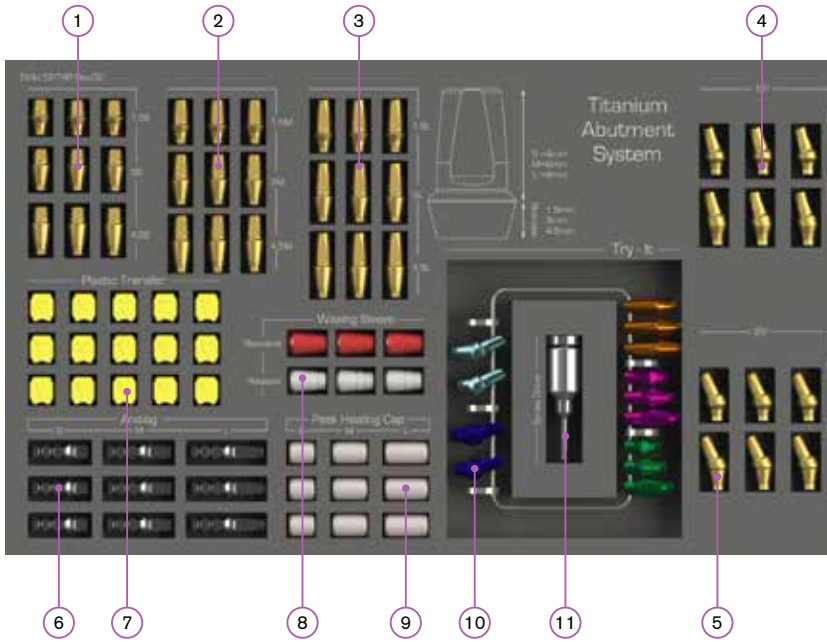


Our Clicq™ Pression line offers dentists a transfer abutment that can also serve as a final abutment, as well as allows you to take a full mouth impression. The diversity of options for this line of abutments gives options for almost every case imaginable, with a variety of collar heights, cone lengths, angulations and connections to choose from. All abutments come with a titanium nitride (TiN) coating and with an option of a yellow snap-on transfer cap for maximized precision during insertion.

The Clicq™ Pression professional kit has three angle options: straight, 15° and 25°. It offers three different collar heights, cone lengths and diameters of straight abutments, plus angled abutments of either 1.5mm or 3.0mm. In addition, there are three different sizes of analogs and peek healing caps, plastic transfers, two types of waxing sleeves, and a screwdriver. Clicq™ Pression products are also available as single abutments, yellow-capped abutments, or as a starter kit.

Clicq™ Pression

Professional & Starter Kit



- 1 - Straight Transfer Abutments - Short
- 2 - Straight Transfer Abutments - Medium
- 3 - Straight Transfer Abutments - Long
- 4 - Angled Transfer Abutments - 15°
- 5 - Angled Transfer Abutments - 25°
- 6 - Abutment Analogs
- 7 - Plastic Transfers
- 8 - Waxing Sleeves*
- 9 - Healing Caps
- 10 - Try-It*
- 11 - Screw Driver

(*For Professional Kit only)

Starter Kit

REF	TAP-NA-NPSK		
Web ID	1120161-274		
	TAP-NA-NP15S	- 3 pcs	
	TAP-NA-NP30S	- 3 pcs	
	TAP-NA-NP45S	- 3 pcs	
	TAP-NA-NP15M	- 3 pcs	
	TAP-NA-NP30M	- 3 pcs	
	TAP-NA-NP45M	- 3 pcs	
	TAP-NA-NP15L	- 3 pcs	
	TAP-NA-NP30L	- 3 pcs	
	TAP-NA-NP45L	- 3 pcs	
	TAP-NA-NP1515	- 3 pcs	
	TAP-NA-NP1530	- 3 pcs	
	TAP-NA-NP2515	- 3 pcs	
	TAP-NA-NP2530	- 3 pcs	
	TAP-AN-S	- 3 pcs	
	TAP-AN-M	- 3 pcs	
	TAP-AN-L	- 3 pcs	
	TAP-PT	- 15 pcs	
	TAP-HA-S	- 3 pcs	
	TAP-HA-M	- 3 pcs	
	TAP-HA-L	- 3 pcs	
	HSDA-SV-L	- 1 pcs	

Professional Kit

REF	TAP-NA-NPPK		
Web ID	1120162-274		
	TAP-NA-NP15S	- 3 pcs	
	TAP-NA-NP30S	- 3 pcs	
	TAP-NA-NP45S	- 3 pcs	
	TAP-NA-NP15M	- 3 pcs	
	TAP-NA-NP30M	- 3 pcs	
	TAP-NA-NP45M	- 3 pcs	
	TAP-NA-NP15L	- 3 pcs	
	TAP-NA-NP30L	- 3 pcs	
	TAP-NA-NP45L	- 3 pcs	
	TAP-NA-NP1515	- 3 pcs	
	TAP-NA-NP1530	- 3 pcs	
	TAP-NA-NP2515	- 3 pcs	
	TAP-NA-NP2530	- 3 pcs	
	TAP-AN-S	- 3 pcs	
	TAP-AN-M	- 3 pcs	
	TAP-AN-L	- 3 pcs	
	TAP-PT	- 15 pcs	
	* TAP-WS	- 3 pcs	
	* TAP -WSR	- 3 pcs	
	TAP-HA-S	- 3 pcs	
	TAP-HA-M	- 3 pcs	
	TAP-HA-L	- 3 pcs	
	* Try-it	- 13 pcs	
	HSDA-SV-L	- 1 pcs	

Clicq™ - Pression Straight Abutments



Straight Transfer Abutment - Short

	H	1.5 mm	3 mm	4.5 mm
Ø	4.8 mm	4.8 mm	4.8 mm	
REF	TAP-NA-NP15S	TAP-NA-NP30S	TAP-NA-NP45S	
Web ID	1120171-274	1120172-274	1120173-274	

Straight Transfer Abutment - Medium

	H	1.5 mm	3 mm	4.5 mm
Ø	4.8 mm	4.8 mm	4.8 mm	
REF	TAP-NA-NP15M	TAP-NA-NP30M	TAP-NA-NP45M	
Web ID	1120176-274	1120177-274	1120178-274	

Straight Transfer Abutment - Long

	H	1.5 mm	3 mm	4.5 mm
Ø	4.8 mm	4.8 mm	4.8 mm	
REF	TAP-NA-NP15L	TAP-NA-NP30L	TAP-NA-NP45L	
Web ID	1120181-274	1120182-274	1120183-274	



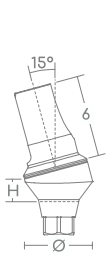
Contents:
 Straight / Angled Abutment
 Titanium Screw
 Plastic Transfer

Clicq™ - Pression

Angled Abutments

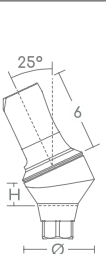


Angled Transfer Abutment 15°



H	1.5 mm	3 mm
Ø	4.8 mm	4.8 mm
REF	TAP-NA-NP1515	TAP-NA-NP1530
Web ID	1120191-274	1120192-274

Angled Transfer Abutment 25°



H	1.5 mm	3 mm
Ø	4.8 mm	4.8 mm
REF	TAP-NA-NP2515	TAP-NA-NP2530
Web ID	1120211-274	1120212-274

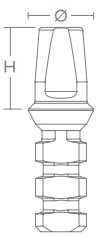





Contents:
Straight / Angled Abutment
Titanium Screw
Plastic Transfer

Clicq™ - Pression Components







Clicq™ Pression - Abutment Analog

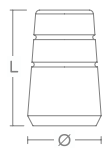


	4 mm	6 mm	8 mm
			
H	4 mm	6 mm	8 mm
Ø	4.8 mm	4.8 mm	4.8 mm
REF	TAP-AN-S	TAP-AN-M	TAP-AN-L
Web ID	4120011	4120021	4120031

Clicq™ Pression - Healing Cap

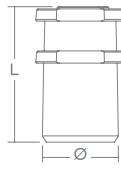

Medical Peek - Classix

	6 mm	8 mm	10 mm
			
L	6 mm	8 mm	10 mm
Ø	5.5 mm	5.5 mm	5.5 mm
REF	TAP-HA-S	TAP-HA-M	TAP-HA-L
Web ID	4120041	4120042	4120043

Clicq™ Pression - Waxing Sleeve

	Anti Rotational	Rotational
		
L	8.5 mm	8.5 mm
Ø	4.6 mm	4.6 mm
REF	TAP-WS	TAP-WSR
Web ID	4120051	4120056

Clicq™ Pression - Closed Tray Plastic Transfer

	
L	10 mm
Ø	5.6 mm
REF	TAP-PT
Web ID	4120061

4



Pop-Clicq™ Removable Overdenture Solutions

- Professional & Mini Kits
- Components
- Pop-Clicq™ - Bar
- Bar Components

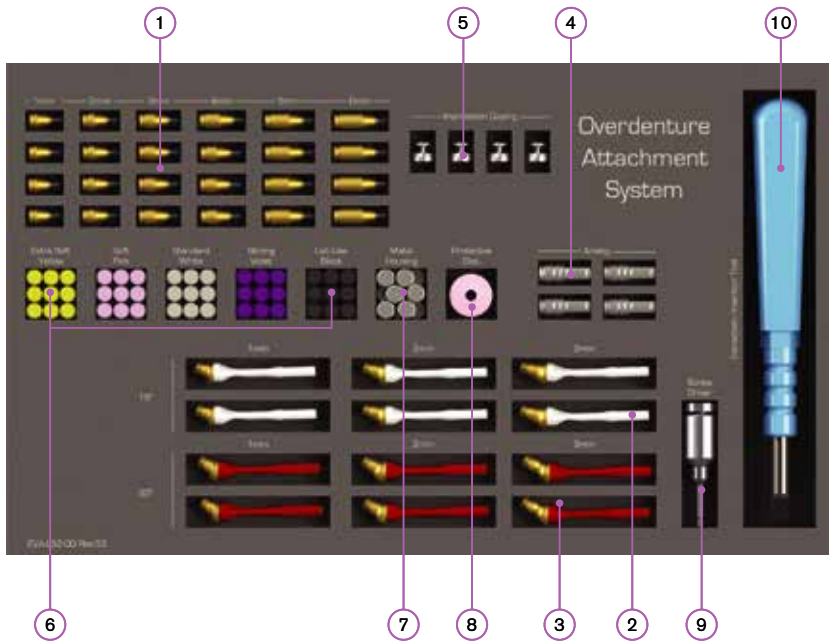
Pop-Clicq™ Attachments Removable Overdenture Solutions



The abutments in the Pop-Clicq™ line benefit from high durability and easy insertion/removal. The self-aligning design allows the dentist to customize the attachment for various levels of retention, achieving the lowest possible vertical profile. The Pop-Clicq™ has a pivoting capacity that increases the attachment's resilience, particularly with regard to tolerance level against mastication force. The design of the pivot system provides a truly strong connection without any loss in the abutment's retention.

Angle options for the 112-piece Pop-Clicq™ professional kit are straight, 18° and 30° with six abutment length options. These kits include: five different color options of retentive caps, metal housings, a protective disc, both metal and plastic impression transfers, an extraction/insertion tool and a screwdriver.

Pop-Clicq™ Overdenture Attachments Professional Kit



- 1 - Straight Titanium Pop-Clicq™ - 1-6 mm
- 2 - Angled Titanium Pop-Clicq™ 18° - 1-3 mm
- 3 - Angled Titanium Pop-Clicq™ 30° - 1-3 mm
- 4 - Abutment Analogs
- 5 - Pick-Up Impression Transfer
- 6 - Retentive Cap
- 7 - Metal Housing
- 8 - Protective Disc
- 9 - Screw Driver
- 10 - Insertion & Extraction Tool

Professional Kit

REF	LOCW-NA-NPPK	
Web ID	1120242-274	
	LOCW-NA-NP10	- 4 pcs
	LOCW-NA-NP20	- 4 pcs
	LOCW-NA-NP30	- 4 pcs
	LOCW-NA-NP40	- 4 pcs
	LOCW-NA-NP50	- 4 pcs
	LOCW-NA-NP60	- 4 pcs
	LOCW-NA-NP1810	- 2 pcs
	LOCW-NA-NP1820	- 2 pcs
	LOCW-NA-NP1830	- 2 pcs
	LOCW-NA-NP3010	- 2 pcs
	LOCW-NA-NP3020	- 2 pcs
	LOCW-NA-NP3030	- 2 pcs
	LOCW-AN	- 4 pcs
	LOCW-PU	- 4 pcs
	LOCW-RCY	- 8 pcs
	LOCW-RCP	- 8 pcs
	LOCW-RCT	- 8 pcs
	LOCW-RCV	- 8 pcs
	LOCW-RCB	- 8 pcs
	LOCW-MH	- 10 pcs
	LOCW-PD	- 10 pcs
	HSDA-SV-L	- 1 pcs
	OD-TK	- 1 pcs

Pop-Clicq™ Overdenture Attachments Mini Kits



Straight Pop-Clicq™ Attachment - Mini Kit

	H	1 mm	2 mm	3 mm	4 mm	5 mm
Ø	4.1 mm	4.1 mm	4.1 mm	4.1 mm	4.1 mm	4.1 mm
REF	LOCW-NA-NP10K	LOCW-NA-NP20K	LOCW-NA-NP30K	LOCW-NA-NP40K	LOCW-NA-NP50K	LOCW-NA-NP60K
Web ID	1120281-274	1120282-274	1120283-274	1120284-274	1120285-274	1120286-274

Angled Pop-Clicq™ Attachment 18° - Mini Kit

	G	2.75 mm	3.75 mm
H	1 mm	2 mm	3 mm
Ø	5.2 mm	5.2 mm	5.2 mm
REF	LOCW-NA-NP1810K	LOCW-NA-NP1820K	LOCW-NA-NP1830K
Web ID	1120291-274	1120292-274	1120293-274

Angled Pop-Clicq™ Attachment 30° - Mini Kit

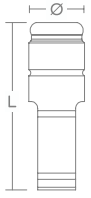

	G	3.75 mm	4.75 mm
H	1 mm	2 mm	3 mm
Ø	5.2 mm	5.2 mm	5.2 mm
REF	LOCW-NA-NP3010K	LOCW-NA-NP3020K	LOCW-NA-NP3030K
Web ID	1120311-274	1120312-274	1120313-274

Mini Kit - Content

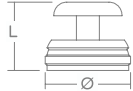

Straight/18°/30° Attachment	- 1 pcs
LOCW-MH	- 1 pcs
LOCW-RCB	- 1 pcs
LOCW-RCY	- 1 pcs
LOCW-RCP	- 1 pcs
LOCW-RCT	- 1 pcs
LOCW-PD	- 1 pcs

Pop-Clicq™ Overdenture Attachments Components



Abutment Analog

	
L	12.3 mm
Ø	4.1 mm
REF	LOCW-AN
Web ID	4210011

Pick-Up Impression Transfer

	
L	4.5 mm
Ø	5.65 mm
REF	LOCW-PU
Web ID	4210021

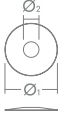

Metal Housing (2 pcs/pack)

	
L	2 mm
Ø	5.65 mm
REF	LOCW-MH
Web ID	4210031

Retentive Cap (4 pcs/pack)

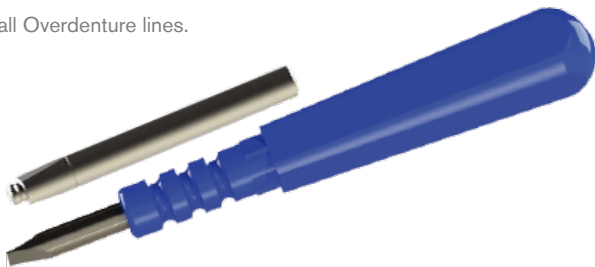
	Lab use only Black laboratory	Ex-Soft Yellow 0.6kg	Soft Pink 1.2kg	Standard Transparent 1.8kg	Strong Violet 2.7kg
					
L	1.75 mm	1.75 mm	1.75 mm	1.75 mm	1.75 mm
Ø	5 mm	5 mm	5 mm	5 mm	5 mm
REF	LOCW-RCB	LOCW-RCY	LOCW-RCP	LOCW-RCT	LOCW-RCV
Web ID	4210041	4210061	4210071	4210081	4210091

Protective Disc (4 pcs/pack)

	
Ø1	13.5 mm
Ø2	2.7 mm
REF	LOCW-PD
Web ID	4210111

Insertion & Extraction Tool for Overdenture Attachments

Suitable for all Overdenture lines.



REF	OD-TK
Web ID	7750271



Pop-Clicq™ Bar

Removable Overdenture Solutions



Pop-Clicq™ - Bar

It's Time To Raise The Bar!

We are proud to introduce a game changer in the field of On-2 / On-4 Implants:
Prefabricated Removable Bar for Overdentures.

Main Advantages:

- Made of Titanium & Light weight
- Can be done chairside
- No need to send to an external Lab
- Time efficient
- Cost effective
- Grants better stability
- Very easy to use and fast to install



Pop-Clicq™ Bar

Overdenture Attachments

Bar Kits & Components

**On 2**

REF	LOCW-BK2
Web ID	4210211

LOCW-ROD	- 2 pcs
LOCW-BMH	- 2 pcs
LOCW-AN	- 2 pcs
LOCW-PU	- 2 pcs
LOCW-BMHT	- 2 pcs
LOCW-BAS	- 3 pcs
*HSDA-SV-L	- 1 pcs

On 2 * (Screwdriver Included)

REF	LOCW-BK2D
Web ID	4210221

On 4


REF	LOCW-BK4
Web ID	4210231

LOCW-ROD	- 2 pcs
LOCW-BMH	- 4 pcs
LOCW-AN	- 4 pcs
LOCW-PU	- 4 pcs
LOCW-BMHT	- 4 pcs
LOCW-BAS	- 6 pcs
*HSDA-SV-L	- 1 pcs

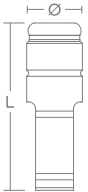

On 4 * (Screwdriver Included)

REF	LOCW-BK4D
Web ID	4210241

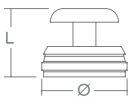

Adjusting Screw (4 pcs/pack)

	
Hex	1.25 mm
REF	LOCW-BAS
Web ID	4210281

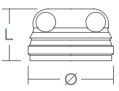

Abutment Analog

	
L	12.3 mm
Ø	4.1 mm
REF	LOCW-AN
Web ID	4210011


Pick-Up Impression Transfer

	
L	4.5 mm
Ø	5.65 mm
REF	LOCW-PU
Web ID	4210021

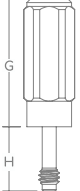

Adjustable Metal Housing

	
L	3.5 mm
Ø	5.65 mm
REF	LOCW-BMH
Web ID	4210251

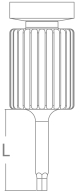

Titanium Rods (2 pcs/pack)

	
L	120 mm
Ø	1.3 mm
REF	LOCW-ROD
Web ID	4210261

Metal Housing Adapter (2 pcs/pack)

	
G	10 mm
H	5 mm
REF	LOCW-BMHT
Web ID	4210271

Hand Screwdriver

	
L	15 mm
Hex	1.25 mm
REF	HSDA-SV-L
Web ID	7740123

Finding the **Perfect Fit.**

Having the right tools by your side to carry you through each procedure is paramount. Our selection of German-milled instruments was designed to offer versatility and precision throughout every dentist's workflow and the perfect fit for every operative need.



5

Multi-Clicq™ On-X

Fixed Screw-Retained
Restorations

- Professional & Mini Kits
- Components
- Clicq™ - Multi Bar
- Bar Components



Multi-Clicq™ Fixed Screw-Retained Restorations



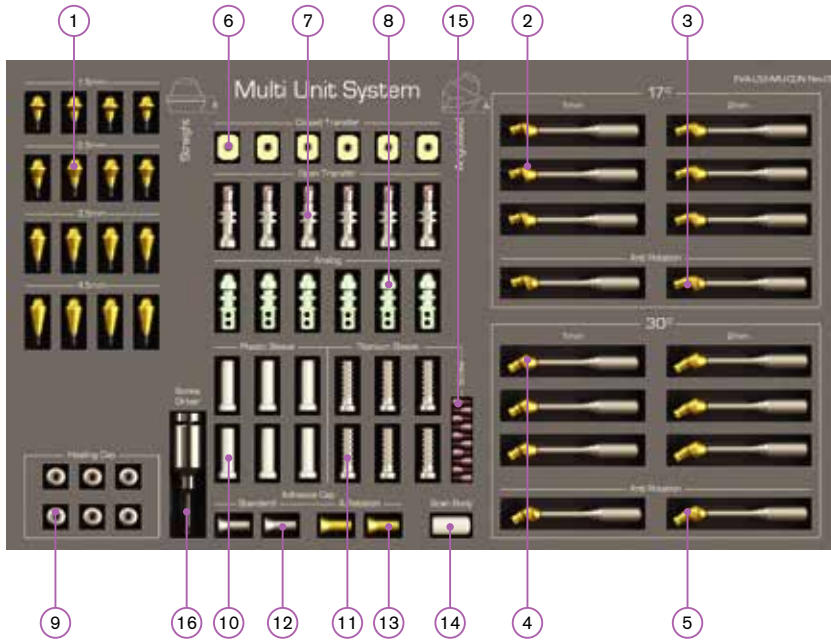
With a combination of a TiN (titanium nitride) coating and a wide, 1.6mm-diameter fixation screw, our Clicq™ Multi-Unit abutments are some of the most durable abutments on the market.

The Multi-Unit line offers choice of a wide variety of abutment angles, collar heights and compatibility with various brands, as well as the greatest range of angulation corrections and least lateral offset, ensuring uncompromising strength, versatility and simplicity. The intelligent design and restorative flexibility of our Multi-Unit abutments are matched by their ease of use and surgical efficiency, making them the ideal choice in even the most challenging edentulous cases.

The Clicq™ Multi-Unit's 84-piece professional kit has three angle options: straight, 17° and 30°, and contains five different abutment height options. The professional kit also includes open and closed transfers, healing caps, adhesive caps, plastic and titanium sleeves, titanium screws, a scan body, and a screwdriver. Our Clicq™ Multi-Unit products are also available for purchase as individual abutments, 78-piece starter kits, or 9-piece mini kits.

Multi-Clicq™

Multi Unit - Professional & Starter Kit



- 1 - Straight Titanium Multi-Clicq™ - 1.5-4.5 mm
- 2 - Angled Titanium Multi-Clicq™ - 17°-Rotational
- 3 - *Angled Titanium Multi-Clicq™ - 17°-Anti-Rotational
- 4 - Angled Titanium Multi-Clicq™ - 30°-Rotational
- 5 - *Angled Titanium Multi-Clicq™ - 30°-Anti-Rotational
- 6 - Closed Tray Plastic Transfer
- 7 - Open Tray Transfer
- 8 - Abutment Analogs
- 9 - Healing Cap
- 10 - Castable Plastic Sleeve
- 11 - Temporary Titanium Sleeve
- 12 - Adhesive Cap - Rotational
- 13 - *Adhesive Cap - Anti-Rotational
- 14 - Scan Body
- 15 - Prosthetic Titanium Screw
- 16 - Screw Driver

(*For Professional Kit only)

Starter Kit

REF	MUL-NA-NPSK	MUL-NA-NPKS15	- 4 pcs
Web ID 1120461-274		MUL-NA-NPKS25	- 4 pcs
		MUL-NA-NPKS35	- 4 pcs
		MUL-NA-NPKS45	- 4 pcs
		MUL-NA-NPKS1710	- 3 pcs
	MUL-NA-NPKS1720	- 3 pcs	
	MUL-NA-NPKS3010	- 3 pcs	
	MUL-NA-NPKS3020	- 3 pcs	
	MUL-KS-PUPUG	- 6 pcs	
	MUL-KS-OTUG	- 6 pcs	
	MUL-KS-AN	- 6 pcs	
	MUL-KS-HAUG	- 6 pcs	
	MUL-KS-SLVPSUG	- 6 pcs	
	MUL-KS-SLVTIUG	- 6 pcs	
	MUL-KS-ADRUG	- 2 pcs	
	MUL-KS-SBUG	- 1 pcs	
	MUL-KS-TSUG	- 10 pcs	
	HSDA-SV-L	- 1 pcs	

Professional Kit

REF	MUL-NA-NPPK	MUL-NA-NPKS15	- 4 pcs
Web ID 1120463-274		MUL-NA-NPKS25	- 4 pcs
		MUL-NA-NPKS35	- 4 pcs
		MUL-NA-NPKS45	- 4 pcs
		MUL-NA-NPKS1710	- 3 pcs
	MUL-NA-NPKS1710H	- 1 pcs	
	MUL-NA-NPKS1720	- 3 pcs	
	MUL-NA-NPKS1720H	- 1 pcs	
	MUL-NA-NPKS3010	- 3 pcs	
	MUL-NA-NPKS3010H	- 1 pcs	
	MUL-NA-NPKS3020	- 3 pcs	
	MUL-NA-NPKS3020H	- 1 pcs	
	MUL-KS-PUPUG	- 6 pcs	
	MUL-KS-OTUG	- 6 pcs	
	MUL-KS-AN	- 6 pcs	
	MUL-KS-HAUG	- 6 pcs	
	MUL-KS-SLVPSUG	- 6 pcs	
	MUL-KS-SLVTIUG	- 6 pcs	
	MUL-KS-ADRUG	- 2 pcs	
	MUL-KS-ADUG	- 2 pcs	
	MUL-KS-SBUG	- 1 pcs	
	MUL-KS-TSUG	- 10 pcs	
	HSDA-SV-L	- 1 pcs	

Multi-Clicq™


Multi Unit - Mini Kits



Multi-Clicq™ Straight Abutment - Mini Kit

					
H	1.5 mm	2.5 mm	3.5 mm	4.5 mm	5.5 mm
Ø	4.8 mm	4.8 mm	4.8 mm	4.8 mm	4.8 mm
REF	MUL-NA-NPKS15K	MUL-NA-NPKS25K	MUL-NA-NPKS35K	MUL-NA-NPKS45K	MUL-NA-NPKS55K
Web ID	1120471-274	1120472-274	1120473-274	1120474-274	1120475-274

Multi-Clicq™ Angled Abutment 17° - Mini Kit

			
H	1 mm	2 mm	3 mm
G	2.5 mm	3.5 mm	4.5 mm
Ø1/Ø2	4.8/5 mm	4.8/5 mm	4.8/5 mm
REF	MUL-NA-NPKS1710K	MUL-NA-NPKS1720K	MUL-NA-NPKS1730K
Web ID	1120481-274	1120482-274	1120483-274

Multi-Clicq™ Angled Abutment 30° - Mini Kit

			
H	1 mm	2 mm	3 mm
G	3.5 mm	4.5 mm	5.5 mm
Ø1/Ø2	4.8/4.5 mm	4.8/4.5 mm	4.8/4.5 mm
REF	MUL-NA-NPKS3010K	MUL-NA-NPKS3020K	MUL-NA-NPKS3030K
Web ID	1120491-274	1120492-274	1120493-274

Mini Kit - Content



Straight/17°/30° Attachment - 1 pcs

MUL-KS-AN	- 1 pcs
MUL-KS-PUPUG	- 1 pcs
MUL-KS-SLVPSUG	- 1 pcs
MUL-KS-SLVTIUG	- 1 pcs
MUL-KS-OTUG	- 1 pcs
MUL-KS-HAUG	- 1 pcs
MUL-KS-TSUG	- 2 pcs

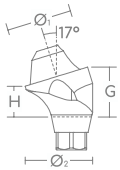



Multi-Clicq™ Single Unit





Multi-Clicq™ Straight Abutment - Single Unit

					
H	1.5 mm	2.5 mm	3.5 mm	4.5 mm	5.5 mm
Ø	4.8 mm	4.8 mm	4.8 mm	4.8 mm	4.8 mm
REF	MUL-NA-NPKS15	MUL-NA-NPKS25	MUL-NA-NPKS35	MUL-NA-NPKS45	MUL-NA-NPKS55
Web ID	1120511-274	1120512-274	1120513-274	1120514-274	1120515-274

Multi-Clicq™ Angled Abutment 17° - Single Unit

			
H	1 mm	2 mm	3 mm
G	2.5 mm	3.5 mm	4.5 mm
Ø1 / Ø2	4.8/5 mm	4.8/5 mm	4.8/5 mm
REF	MUL-NA-NPKS1710	MUL-NA-NPKS1720	MUL-NA-NPKS1730
Web ID	1120521-274	1120522-274	1120523-274

Anti Rotational Cone

	
1 mm	2 mm
2.5 mm	3.5 mm
4.8/5 mm	4.8/5 mm
MUL-NA-NPKS1710H	MUL-NA-NPKS1720H
1120541-274	1120542-274

Multi-Clicq™ Angled Abutment 30° - Single Unit

			
H	1 mm	2 mm	3 mm
G	3.5 mm	4.5 mm	5.5 mm
Ø1 / Ø2	4.8/4.5 mm	4.8/4.5 mm	4.8/4.5 mm
REF	MUL-NA-NPKS3010	MUL-NA-NPKS3020	MUL-NA-NPKS3030
Web ID	1120531-274	1120532-274	1120533-274

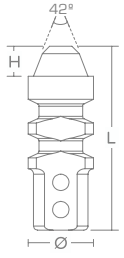

Anti Rotational Cone

	
1 mm	2 mm
3.5 mm	4.5 mm
4.8/4.5 mm	4.8/4.5 mm
MUL-NA-NPKS3010H	MUL-NA-NPKS3020H
1120551-274	1120552-274

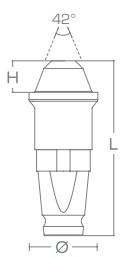

Multi-Clicq™ Components



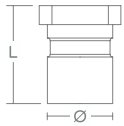

Multi-Clicq™ - Abutment Analog

	
L	13.5 mm
H	2.2 mm
Ø	4.8 mm
REF	MUL-KS-AN
Web ID	4410111

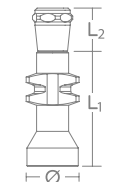

Multi-Clicq™ - Digital Analog

	
L	12 mm
H	2.2 mm
Ø	4.8 mm
REF	MUL-KS-DAN
Web ID	4410115



Multi-Clicq™ Closed Tray Plastic Transfer

	
L	7.2 mm
Ø	4.8 mm
REF	MUL-KS-PUPUG
Web ID	4430141

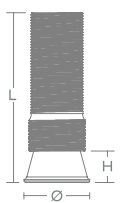

Multi-Clicq™ Open Tray Transfer

	
L1/L2	10.7 / 4.2 mm
Ø	4.8 mm
REF	MUL-KS-OTUG
Web ID	4430151

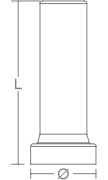

Multi-Clicq™ - Healing Cap

	
L	5.2 mm
Ø	4.8 mm
REF	MUL-KS-HAUG
Web ID	4430131

Multi-Clicq™ - Cobalt Chrome UCLA

	
L	12.5 mm
H	2.3 mm
Ø	4.8 mm
REF	MUL-KS-SLVCCUG
Web ID	4430181

Multi-Clicq™ - Castable Plastic Sleeve

	
L	12 mm
Ø	4.8 mm
REF	MUL-KS-SLVPSUG
Web ID	4430191

Multi-Clicq™ Components

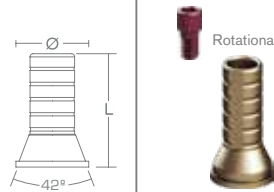


Multi-Clicq™ - Adhesive Cap



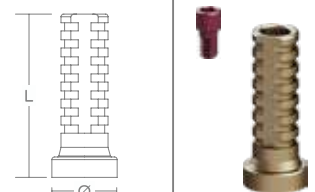
L	7.5 mm
Ø	4.8 mm
REF	MUL-KS-ADUG
Web ID	4430111

Multi-Clicq™ - Adhesive Cap



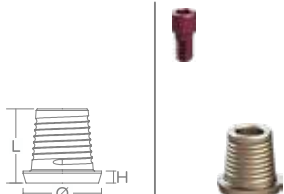
L	7.5 mm
Ø	4.8 mm
REF	MUL-KS-ADRUG
Web ID	4430121

Multi-Clicq™ - Temporary Sleeve



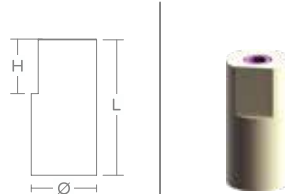
L	12 mm
Ø	4.8 mm
REF	MUL-KS-SLVTIUG
Web ID	4430211

Multi-Clicq™ - Titanium Base



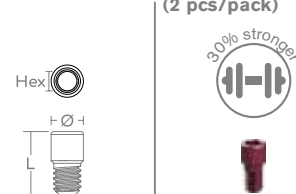
L	4.8 mm
H	0.6 mm
Ø	5 mm
REF	MUL-KS-TBRUG
Web ID	4430241

Multi-Clicq™ Abutment Level Scan Body



L	10 mm
H	4 mm
Ø	4.8 mm
REF	MUL-KS-SBUG
Web ID	4430161

Multi-Clicq™ - Fixation Screw



L	4.6 mm
Hex/Unigrip	1.28 mm/Dual
Ø	2.1 mm
REF	MUL-KS-TSUG
Web ID	4430261

Clicq™ Multi Bar

Design Patent Pending No. 62154
Patent Pending No. US 62/679,389



Clicq™ - Multi Bar It's Time To Raise The Bar!

We are proud to introduce a game changer
in the field of On-4 / On-6 Implants:
Prefabricated Permanent Bar for Fixed Dentures.

Main Advantages:

- Made of Titanium & Light weight
- Can be done chairside
- No need to send to an external Lab
- Time efficient
- Cost effective
- Grants better stability
- Very easy to use and fast to install



Get a permanent bar
for your patient
within minutes

Clicq™ Multi Bar Kits & Components



On 4

REF	MUL-KS-BK4UG
Web ID	4430321

MUL-KS-BSLVUG	- 4 pcs
MUL-KS-ROD	- 2 pcs
MUL-KS-BAS	- 2 pcs
MUL-KS-TSUG	- 2 pcs
*HSDA-SV-L	- 1 pcs

On 4 * (Screwdriver Included)

REF	MUL-KS-BK4DUG
Web ID	4430331

On 6

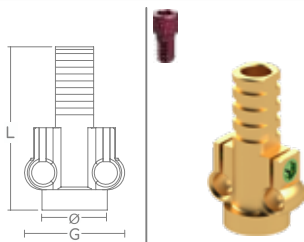
REF	MUL-KS-BK6UG
Web ID	4430351

MUL-KS-BSLVUG	- 6 pcs
MUL-KS-ROD	- 2 pcs
MUL-KS-BAS	- 2 pcs
MUL-KS-TSUG	- 2 pcs
*HSDA-SV-L	- 1 pcs

On 6 * (Screwdriver Included)

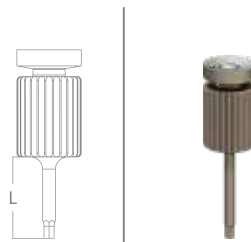
REF	MUL-KS-BK6DUG
Web ID	4430361

Pre-Fabricated Adjustable Sleeve



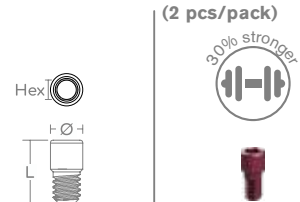
L	12 mm
Ø/G	4.8 / 7 mm
REF	MUL-KS-BSLVUG
Web ID	4430311

Hand Screwdriver



L	15 mm
Hex	1.25 mm
REF	HSDA-SV-L
Web ID	7740123

Multi-Clicq™ - Fixation Screw



L	4.6 mm
Hex	1.28 mm
Ø	2.1 mm
REF	MUL-KS-TSUG
Web ID	4430261

Titanium Rods (2 pcs/pack)



L	130 mm
Ø	1.7 mm
REF	MUL-KS-ROD
Web ID	4410121

Adjusting Screw (4 pcs/pack)



Hex	1.27 mm
REF	MUL-KS-BAS
Web ID	4690011

“

**THERE'S A
WAY TO DO
IT BETTER -
FIND IT.**

Thomas A. Edison

”

6



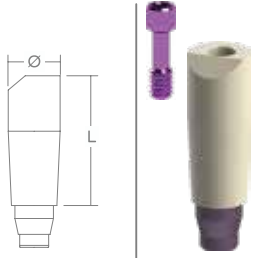
Digital Dentistry

- Scan Abutments
- Pre-Milled Titanium Blank
- Uni-Base™
- Clicq-Base™
- Clicq-Multi Base™ On-X

Scan Abutments & Pre-Milled Blank

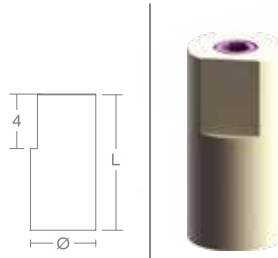


Implant Level Scan Abutment



L	10 mm
Ø	4 mm
REF	SB-NA-NP
Web ID	1120671-274

Multi-Clicq™ Abutment Level Scan Body

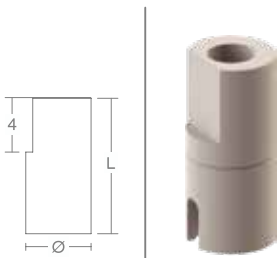


L	10 mm
Ø	4.8 mm
REF	MUL-KS-SBUG
Web ID	4430161

See Page - 48

Medical Peek - Classix

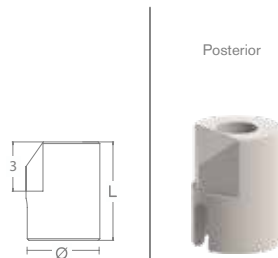
Clicq-Scan™ Abutment Level Scan Body



L	10 mm
Ø	4.5 mm
REF	SBC-TBK-A
Web ID	4130124

See Page - 71

Clicq-Scan™ Top Abutment Level Scan Body



L	6 mm
Ø	4.5 mm
REF	SBC-U
Web ID	4130121

See Page - 71

Pre-Milled Titanium Blank



H	20.3 mm	20.3 mm
L	26.3 mm	26.3 mm
Ø	10 mm	10 mm
REF	PMAM-NA-NP	PMAM-NA-NPR
Web ID	1120851-274	1120861-274



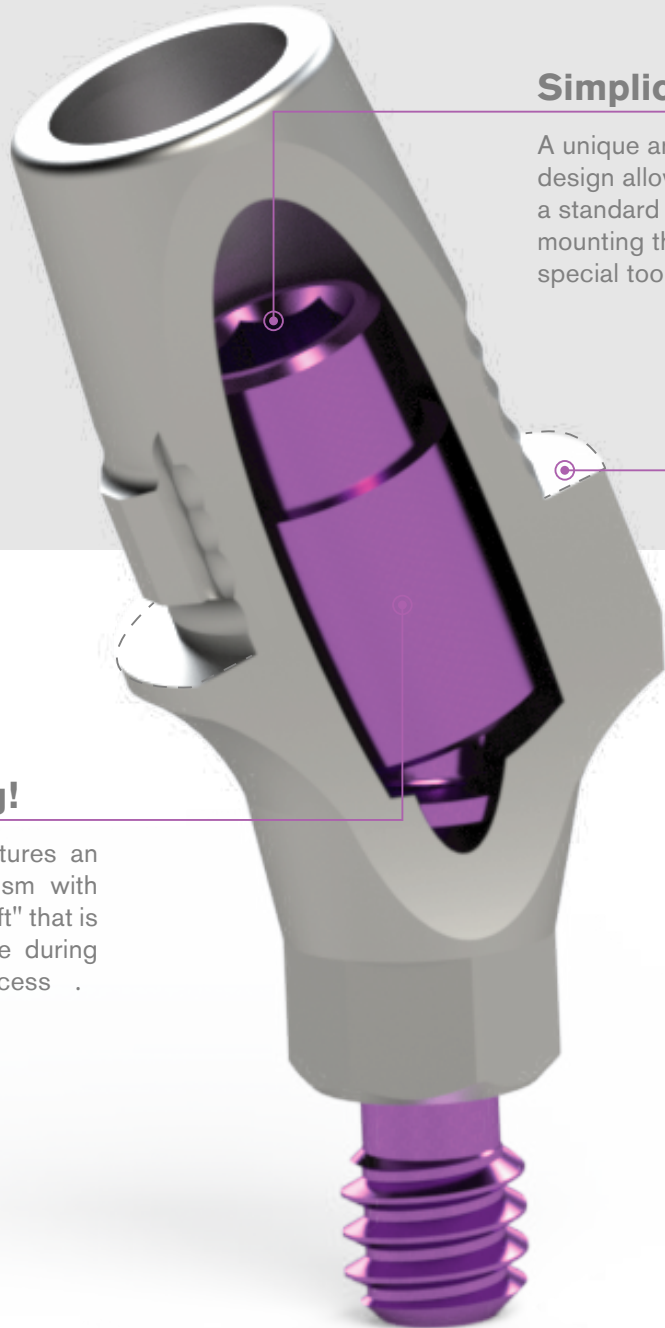
Uni-Base™

One Piece Ti-Base

- Straight Ti-Base
- Angled Ti-Base 20°
- Angled Ti-Base 20° Shape - Anterior

Uni-Base™

Characteristics



Simplicity!

A unique architectural design allows for the use of a standard screwdriver when mounting the Uni-Base, no special tools necessary.

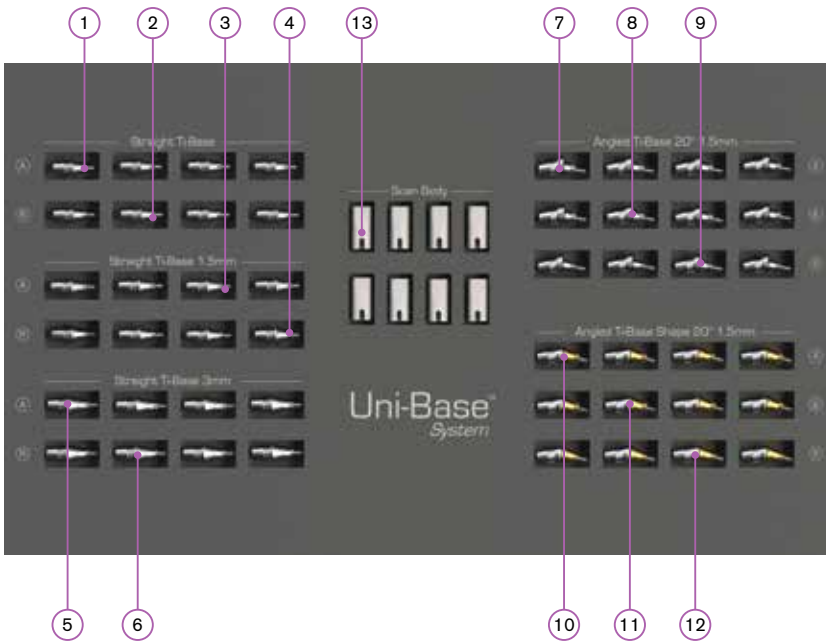
Engineering!

Our Uni-Base features an exclusive mechanism with a built-in "joint-shaft" that is secured into place during the fabrication process .

Innovation!

The flat surface of the shoulder makes for an angulated base that interacts with the implant system in the same manner as a non-angulated base, allowing laboratories to use standard CAD/CAM procedures during the milling process.

Uni-Base™ Professional Kit

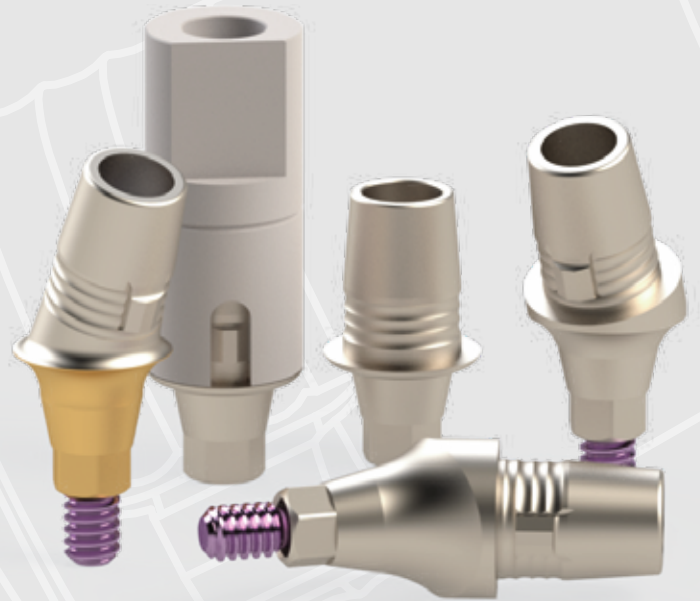


- 1 - Straight Ti-Base A
- 2 - Straight Ti-Base Rotational
- 3 - Straight Ti-Base 1.5mm A
- 4 - Straight Ti-Base 1.5mm Rotational
- 5 - Straight Ti-Base 3mm A
- 6 - Straight Ti-Base 3mm Rotational
- 7 - Angled Ti-Base 20° 1.5mm A
- 8 - Angled Ti-Base 20° 1.5mm B
- 9 - Angled Ti-Base 20° 1.5mm Rotational
- 10 - Angled Ti-Base 20° 1.5mm A - Shape
- 11 - Angled Ti-Base 20° 1.5mm B - Shape
- 12 - Angled Ti-Base 20° 1.5mm Rotational - Shape
- 13 - Scan Body

Professional Kit

REF	TBC-NA-NPPK		
Web ID	1120725-274	TBC-NA-NP	- 4 pcs
		TBC-NA-NPR	- 4 pcs
		TBC-NA-NP15	- 4 pcs
		TBC-NA-NP15R	- 4 pcs
		TBC-NA-NP30	- 4 pcs
		TBC-NA-NP30R	- 4 pcs
		TBC-NA-NP2015A	- 4 pcs
		TBC-NA-NP2015B	- 4 pcs
		TBC-NA-NP2015R	- 4 pcs
		TBC-NA-NP2015UA	- 4 pcs
		TBC-NA-NP2015UB	- 4 pcs
		TBC-NA-NP2015UR	- 4 pcs
		SBC-TBK-A	- 8 pcs

Uni-Base™ Straight Titanium Bases



Uni-Base™ - Straight Ti-Base

	H	0.8 mm	1.5 mm	3 mm
	C	4.7 mm	4.7 mm	4.7 mm
	Ø	4.5 mm	4.5 mm	4.5 mm
REF	TBC-NA-NP	TBC-NA-NP15	TBC-NA-NP30	
Web ID	1120691-274	1120692-274	1120693-274	

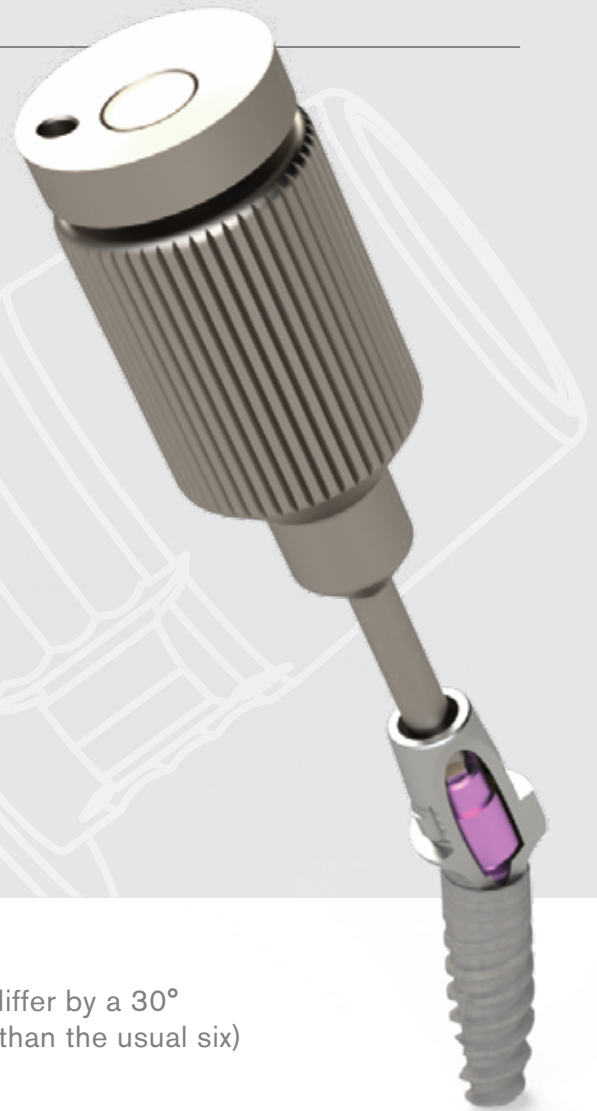
Uni-Base™ - Straight Ti-Base - Rotational

	H	0.8 mm	1.5 mm	3 mm
	C	4.7 mm	4.7 mm	4.7 mm
	Ø	4.5 mm	4.5 mm	4.5 mm
REF	TBC-NA-NPR	TBC-NA-NP15R	TBC-NA-NP30R	
Web ID	1120696-274	1120697-274	1120698-274	

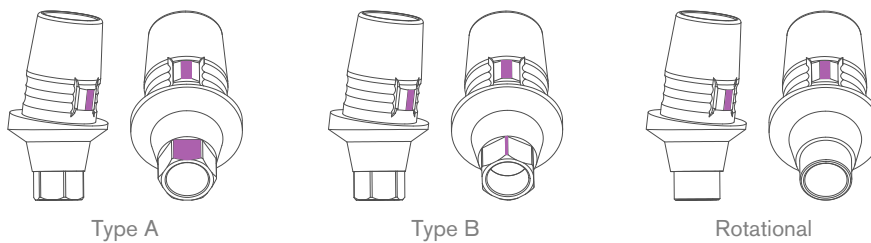
Uni-Base™

Angled Titanium Bases 20°

Patent Pending US 63013564



Angled Ti-Base Types: Two internal hex orientations that differ by a 30° rotation around the base provide an option of twelve (rather than the usual six) placement orientations in the mouth.



Angled Ti-Base 20°

	Type A	Type B	Rotational
H/G	1.5 mm / 3 mm	1.5 mm / 3 mm	1.5 mm / 3 mm
L	7 mm	7 mm	7 mm
Ø	4.5 mm	4.5 mm	4.5 mm
REF	TBC-NA-NP2015A	TBC-NA-NP2015B	TBC-NA-NP2015R
Web ID	1120726-274	1120731-274	1120736-274

Uni-Base™ Shape

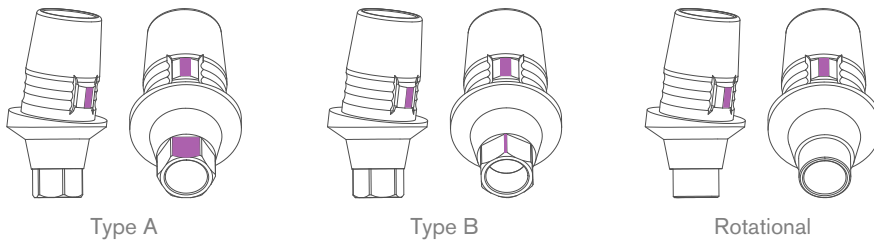
Angled Titanium Bases 20°

- Anterior -

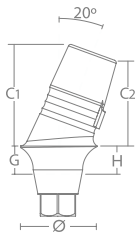



Patent Pending US 63013564



Angled Ti-Base Types: Two internal hex orientations that differ by a 30° rotation around the base provide an option of twelve (rather than the usual six) placement orientations in the mouth.

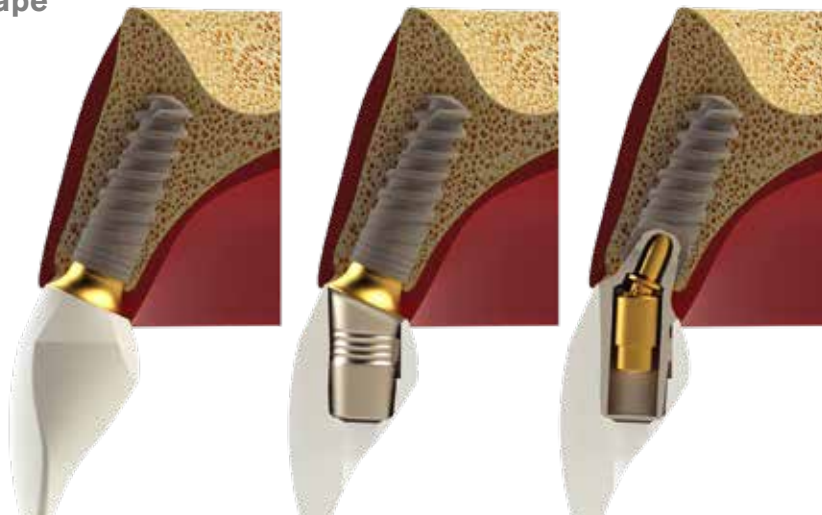


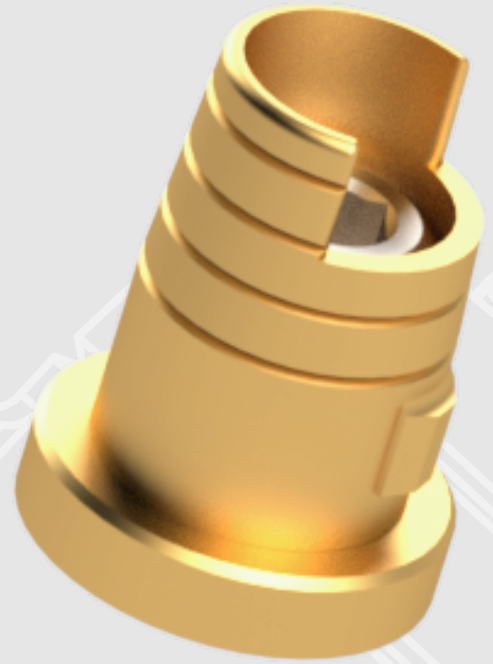
Angled Titanium Base 20°

	Type A	Type B	Rotational
			
C1/C2	6 mm / 5 mm	6 mm / 5 mm	6 mm / 5 mm
H/G	1.5 mm / 1.5 mm	1.5 mm / 1.5 mm	1.5 mm / 1.5 mm
Ø	4.5 mm	4.5 mm	4.5 mm
REF	TBC-NA-NP2015UA	TBC-NA-NP2015UB	TBC-NA-NP2015UR
Web ID	1120729-274	1120734-274	1120739-274

Uni-Base™ Shape

Anterior





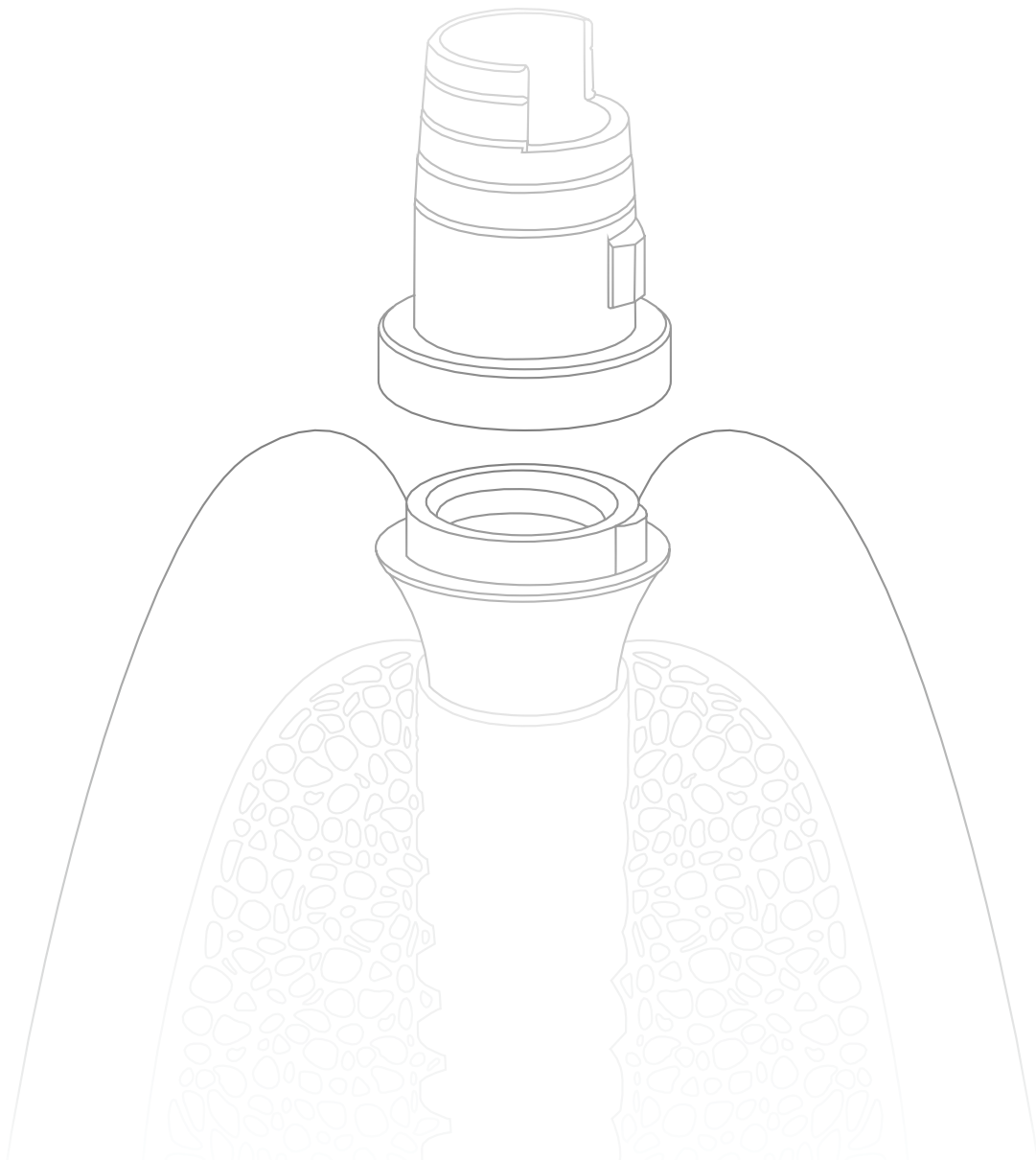
Clicq-Base™

2 Piece Ti-Base

- Straight Ti-Base
- Angled Ti-Base 15° & 25°
- Components

Clicq-Base™ Introduction

The advanced design of dibay's Ti-Base offers a never before seen functionality in the implant platform and facilitates a prosthetic system defined by strength, stability and longevity. With the potential for indexed, repeatable placement of the connection in a single position, the Ti-Base ensures accuracy and precision throughout the implant procedure, all the while preventing any disturbances to the peri-implant seal. The interface's close proximity to surrounding dense soft tissue serves as a biological seal against bacteria and prevents any micromovements or microleakage that can lead to crestal bone loss.



Clicq-Base™ Connection

Ergonomics and Angulation A Breakthrough Ti-Base Design

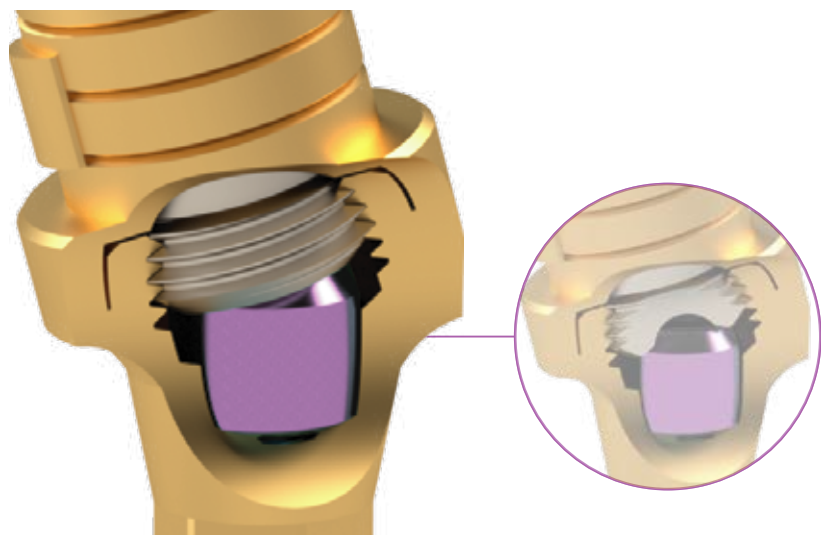


B Both the base and sleeve feature an alignment notch that facilitates easy and hassle-free mounting. Simply screw the unit's sleeve onto the base until the two notches are aligned and the two pieces lock into place.



A This convenient two-piece Ti-Base facilitates implant restoration without removal of the entire unit, protecting the implant site from undesirable microflora and risk of infection. The upper sleeve of the unit is removable and can be substituted with a healing cap.

C Our Ti-Base features two internal, built-in screws that are secured into place during the fabrication process. This architectural design allows for use of a standard screw driver when mounting the Ti-Base, no special tools necessary.



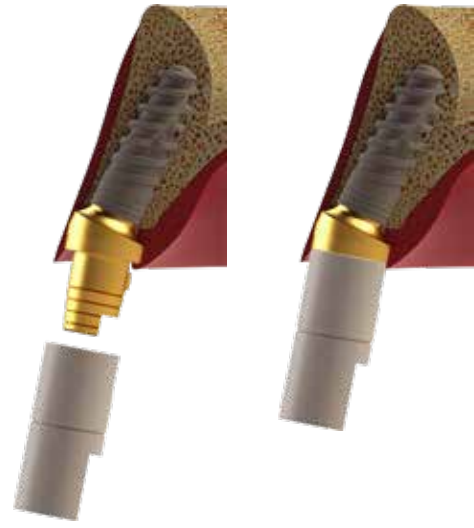
Clicq-Base™

Step by Step - Anterior

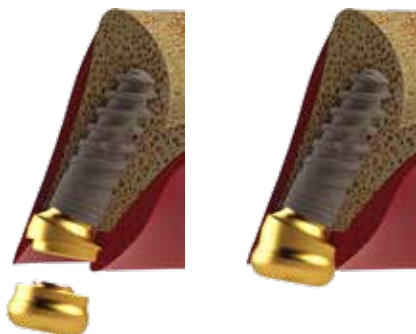
- 01** A carrier is used to place the base into the implant and maintain the connection's position while screwing it into place. Using a standard hex drivescrew sleeve is screwed onto the base until the locking mechanism is activated, which occurs when the two notches on the sleeve and connection are aligned. Recommended tightening torque: 10 Ncm



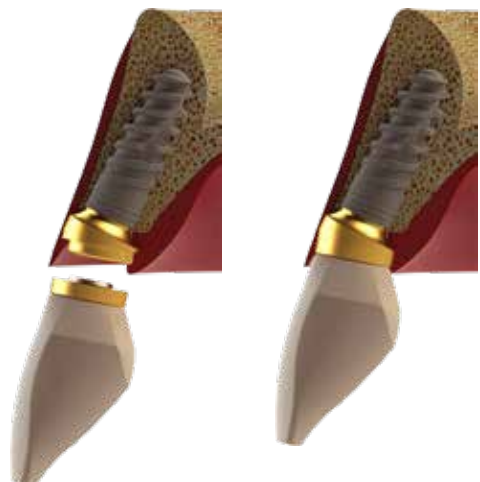
- 02** The scanbody snaps onto the titanium sleeve in a single position. After the scanbody is attached to the sleeve, the apparatus is ready for intraoral scanning.



- 03** A healing cap or temporary crown should be used on the Ti-Base until healing of the surrounding tissue is complete. When using a healing cap, recommended tightening torque is 12 Ncm.

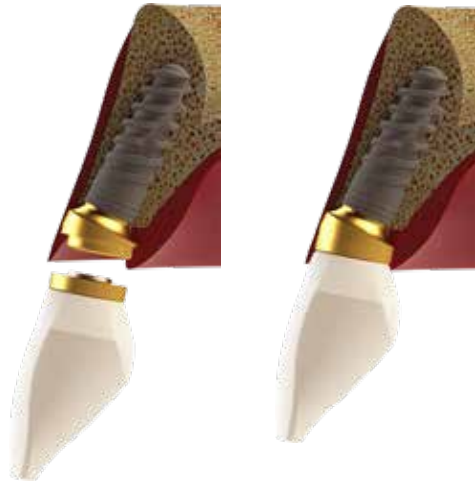


- 04** When using a temporary crown on the Ti-Base during tissue healing, recommended tightening torque is 30 Ncm.

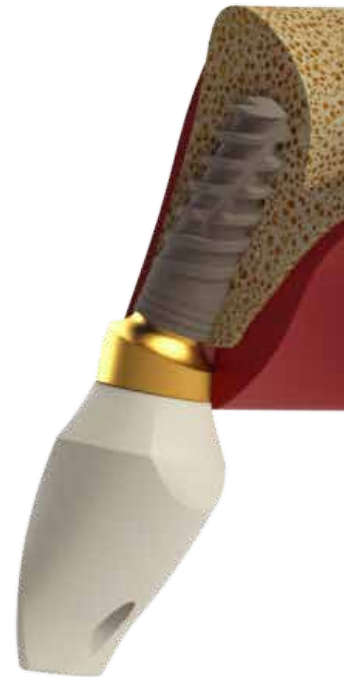


Clicq-Base™ Step by Step - Anterior

- 05** Once healing is complete, the permanent crown can be mounted. The final crown is equipped with a screw channel to affix to the Ti-Base for a screw-retained concept that provides maximal strength and retention. Recommended tightening torque: 30 Ncm



- This is how the final and complete restoration appears once the permanent crown has been attached.

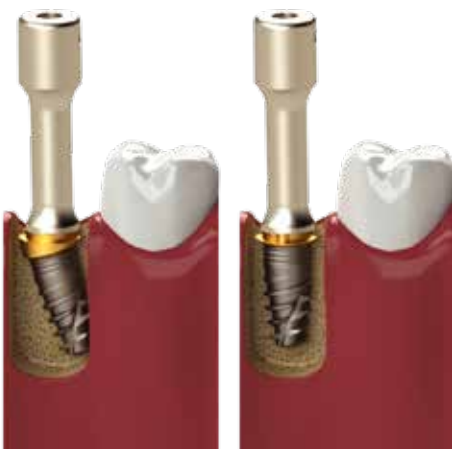
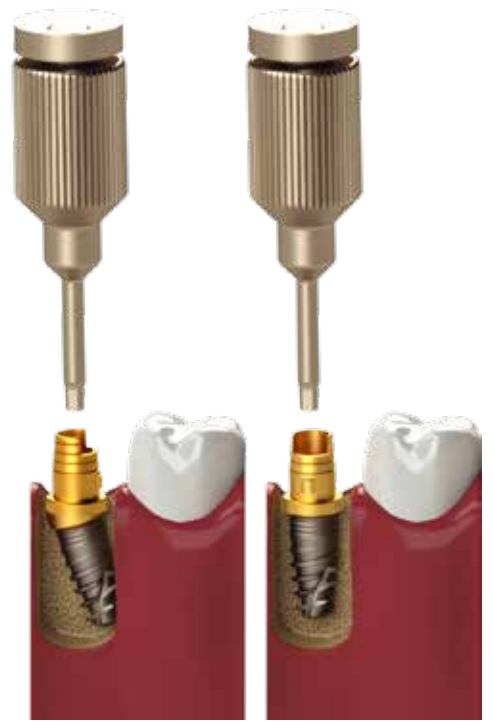


- 06** The final angled restoration is composed entirely of straight screws, with the angulation occurring only in the connection itself, which guarantees unwavering stability.



Clicq-Base™ Step by Step - Posterior

- 01** A carrier is used to place the base into the implant and maintain the connection's position while screwing it into place. Using a standard screwdriver, the sleeve is screwed onto the base until the locking mechanism is activated, which occurs when the two notches on the sleeve and connection are aligned. Recommended tightening torque: 10 Ncm

**A****B****C**

- 02** The scanbody snaps onto the titanium sleeve in a single position. After the scanbody is attached to the sleeve, the apparatus is ready for intraoral scanning.

**A****B**

Clicq-Base™ Step by Step - Posterior

03

A healing cap or temporary crown should be used on the Ti-Base until healing of the surrounding tissue is complete. When using a healing cap, recommended tightening torque is 12 Ncm.



A

B

04

When using a temporary crown on the Ti-Base during tissue healing, recommended tightening torque is 30 Ncm.



A

B



05

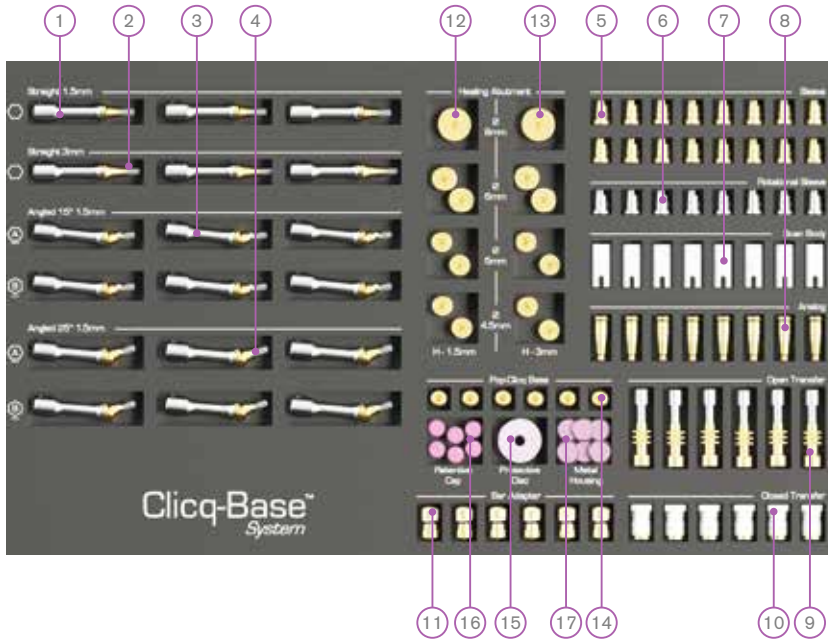
Once healing is complete, the permanent crown can be mounted. The final crown is equipped with a screw channel to affix to the Ti-Base for a screw-retained concept that provides maximal strength and retention. Recommended tightening torque: 30 Ncm.



A

B

Clicq-Base™ Professional Kit

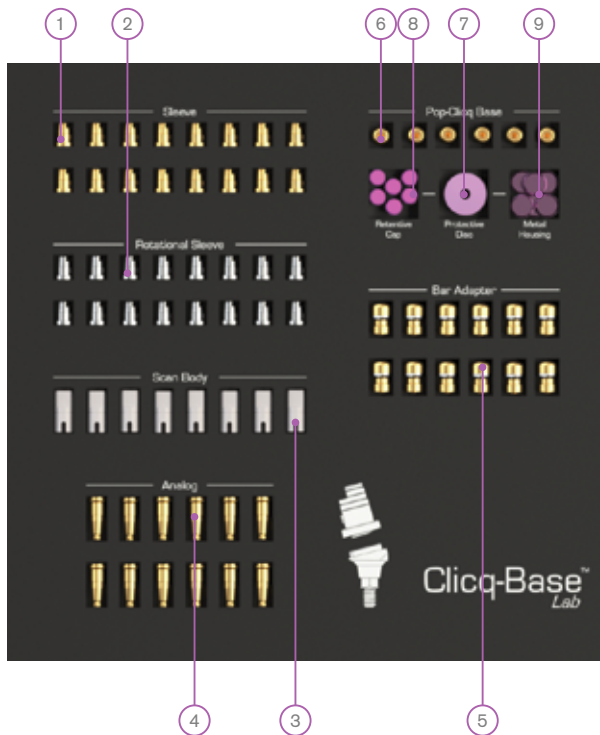
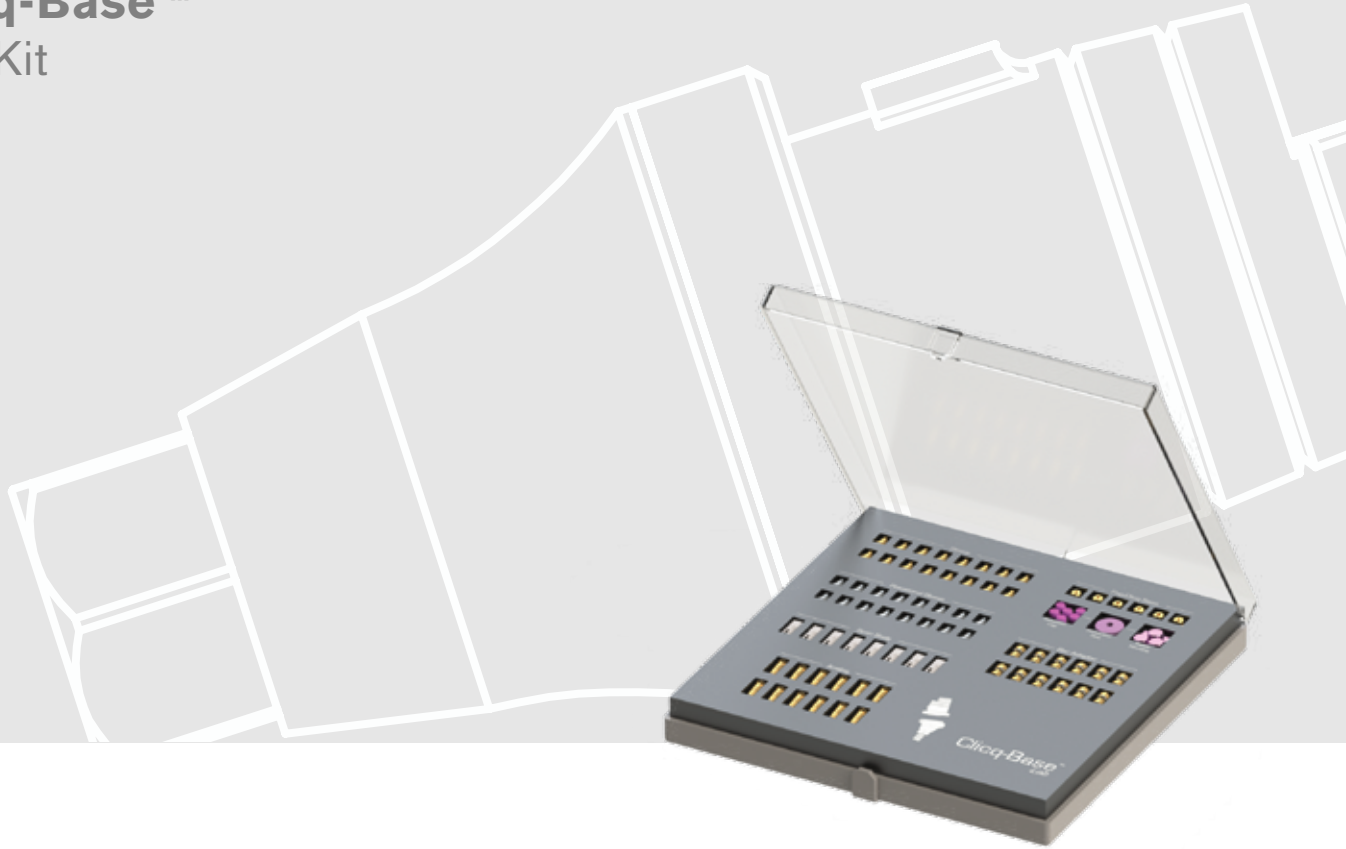


- 1 - Straight Ti-Base H 1.8mm
- 2 - Straight Ti-Base H 3mm
- 3 - Angled Ti-Base 15° H 2mm Type A & B
- 4 - Angled Ti-Base 25° H 2mm Type A & B
- 5 - Clicq-Base™ Ti-Sleeve
- 6 - Rotational Clicq-Base™ Ti-Sleeve
- 7 - Clicq-Scan™
- 8 - Clicq-Base™ Digital Analog
- 9 - Clicq-Base™ Open Transfer
- 10 - Clicq-Base™ Closed Transfer
- 11 - Clicq Multi Base™ Bar Adapter
- 12 - Clicq-Base™ Healing Cap - Short
- 13 - Clicq-Base™ Healing Cap - Long
- 14 - Pop-Clicq Base™ Overdenture
- 15 - Protective Disc
- 16 - Retentive Cap
- 17 - Metal Housing

Professional Kit

REF	TBK-NA-NPPK		
Web ID	1120785-274		
		TBK-NA-NP15	- 3 pcs
		TBK-NA-NP30	- 3 pcs
		TBK-NA-NP1515A	- 3 pcs
		TBK-NA-NP1515B	- 3 pcs
		TBK-NA-NP2515A	- 3 pcs
		TBK-NA-NP2515B	- 3 pcs
		TBK-TBUG	- 16 pcs
		TBK-TBRUG	- 8 pcs
		SBC-TBK-A	- 8 pcs
		TBK-AN	- 8 pcs
		TBK-OTUG	- 6 pcs
		TBK-PUPUG	- 6 pcs
		TBK-BADPUG	- 6 pcs
		TBK-HA-SNUG	- 2 pcs
		TBK-HA-SUG	- 2 pcs
		TBK-HA-SWUG	- 2 pcs
		TBK-HA-SEWUG	- 1 pcs
		TBK-HA-LNUG	- 2 pcs
		TBK-HA-LUG	- 2 pcs
		TBK-HA-LWUG	- 2 pcs
		TBK-HA-LEWUG	- 1 pcs
		TBK-LOCW-UG	- 6 pcs
		LOCW-RCP	- 6 pcs
		LOCW-PD	- 6 pcs
		LOCW-MH	- 6 pcs

Clicq-Base™ Lab Kit



- 1 - Clicq-Base™ Ti-Sleeve
- 2 - Rotational Clicq-Base™ Ti-Sleeve
- 3 - Clicq-Scan™
- 4 - Clicq-Base™ Digital Analog
- 5 - Clicq Multi Base™ Bar Adapter
- 6 - Pop-Clicq Base™ Overdenture Attachment
- 7 - Protective Disc
- 8 - Retentive Cap
- 9 - Metal Housing

Lab Kit

REF	TBK-LABK-UG		
		TBK-TBUG	- 16 pcs
		TBK-TBRUG	- 16 pcs
		SBC-TBK-A	- 8 pcs
		TBK-AN	- 12 pcs
		TBK-BADPUG	- 12 pcs
		TBK-LOCW-UG	- 6 pcs
		LOCW-RCP	- 6 pcs
		LOCW-PD	- 6 pcs
		LOCW-MH	- 6 pcs
Web ID	4510711		

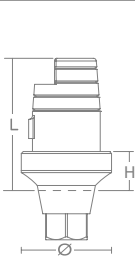
Clicq-Base™

Straight Titanium Bases

- 2 Pcs -

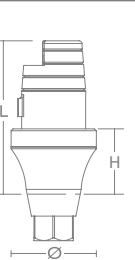


Straight Ti-Base H 1.8mm



H	1.8 mm
L	6.5 mm
Ø	4.5 mm
REF	TBK-NA-NP15
Web ID	1120742-274

Straight Ti-Base H 3mm



H	3 mm
L	7.7 mm
Ø	4.5 mm
REF	TBK-NA-NP30
Web ID	1120743-274



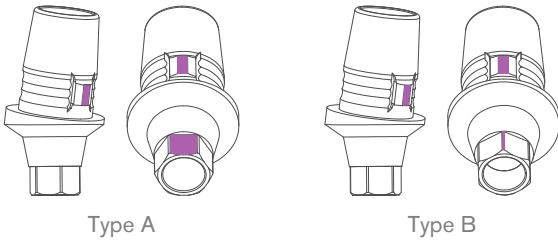
Clicq-Base™

Angled Titanium Bases 15°/25°

- 2 Pcs -



Angled Ti-Base Types: Two internal hex orientations that differ by a 30° rotation around the base provide an option of twelve (rather than the usual six) placement orientations in the mouth.



Angled Ti-Base 15° H 1.8mm

	Type A	Type B
H/G	1.8 mm / 3 mm	1.8 mm / 3 mm
L	7.2 mm	7.2 mm
Ø	4.5 mm	4.5 mm
REF	TBK-NA-NP1515A	TBK-NA-NP1515B
Web ID	1120751-274	1120756-274

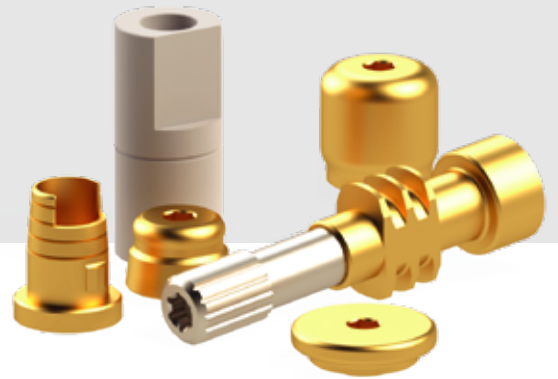


Angled Ti-Base 25° H 1.8mm

	Type A	Type B
H/G	1.8 mm / 3.5 mm	1.8 mm / 3.5 mm
L	7.5 mm	7.5 mm
Ø	4.5 mm	4.5 mm
REF	TBK-NA-NP2515A	TBK-NA-NP2515B
Web ID	1120766-274	1120771-274



Clicq-Base™ Components



Full Digital Solutions - Intra-Oral Scanning

Do Not Use With Rotational Clicq-Base™ Ti-Sleeve

Clicq-Base™ Ti-Sleeve

	Rotational	
C	4.7 mm	4.7 mm
Ø	4.5 mm	4.5 mm
REF	TBK-TBUG	TBK-TBRUG
Web ID	4510511	4510513

Clicq-Scan™ Abutment Level Scan Body

L	10 mm
Ø	4.5 mm
REF	SBC-TBK-A
Web ID	4130124

Clicq-Scan™ Top Abutment Level Scan Body

	Posterior
L	6 mm
Ø	4.5 mm
REF	SBC-U
Web ID	4130121

Clicq-Base™ Digital Analog

L	10 mm
Ø	4.5 mm
REF	TBK-AN
Web ID	4130011

Semi Digital Solutions -

Manual Impression & Lab Model Scanning

Clicq-Base™ Closed Transfer

L	8 mm
Ø	4.5 mm
REF	TBK-PUPUG
Web ID	4510331

Clicq-Base™ Open Transfer

L1/L2	8 mm / 10 mm
Ø	4.5 mm
REF	TBK-OTUG
Web ID	4510411

Clicq-Base™ Components

Clicq-Base™ Healing Cap - Short

				
H	1.5 mm	1.5 mm	1.5 mm	1.5 mm
Ø	4.5 mm	5 mm	6 mm	8 mm
REF	TBK-HA-SNUG	TBK-HA-SUG	TBK-HA-SWUG	TBK-HA-SEWUG
Web ID	4510211	4510217	4510221	4510231

Clicq-Base™ Healing Cap - Long

				
H	3 mm	3 mm	3 mm	3 mm
Ø	4.5 mm	5 mm	6 mm	8 mm
REF	TBK-HA-LNUG	TBK-HA-LUG	TBK-HA-LWUG	TBK-HA-LEWUG
Web ID	4510215	4510219	4510225	4510235

Overdenture Solutions -

For Clicq-Multi Base™ Bar & Overdenture Attachments

Pop-Clicq Base™ Overdenture Attachment

		Mini Kit - Content	
H1/H2	1.5 mm / 0.8 mm	TBK-LOCW-UG	- 1 pcs
Ø	4.5 mm	LOCW-MH	- 1 pcs
REF	TBK-LOCW-UG	LOCW-RCB	- 1 pcs
Web ID	4510561	LOCW-RCY	- 1 pcs
		LOCW-RCP	- 1 pcs
		LOCW-RCT	- 1 pcs
		LOCW-PD	- 1 pcs

“

**A SMILE IS
HAPPINESS
YOU'LL FIND
RIGHT UNDER
YOUR NOSE.**

Tom Wilson

”



Clicq-Multi Base™

On-X

The intelligently designed adjustable adapter system
for milled bar overdentures

The Intelligently Designed Adjustable Adapter System

For Milled Bar Overdentures

The first of its kind to feature an intrinsic mechanism that corrects any dimensional inaccuracies in laboratory-milled overdenture bars, the Clicq Multi-Base™ On X is the ideal solution for placement of milled bar overdentures. Despite accurate oral scans, milled bars are often returned from the laboratory with an impactful level of dimensional deviation, causing misalignment of the implant components and resulting in lack of prosthesis stability. Using a uniquely designed ball attachment that expands during the screw tightening process, the system's adapters are able to modify their positioning with respect to the implant base and overdenture, allowing for a secure fit in the patient's mouth.



Clicq-Multi Base™ On X

The intelligently designed adjustable adapter system for milled bar overdentures

Step by Step

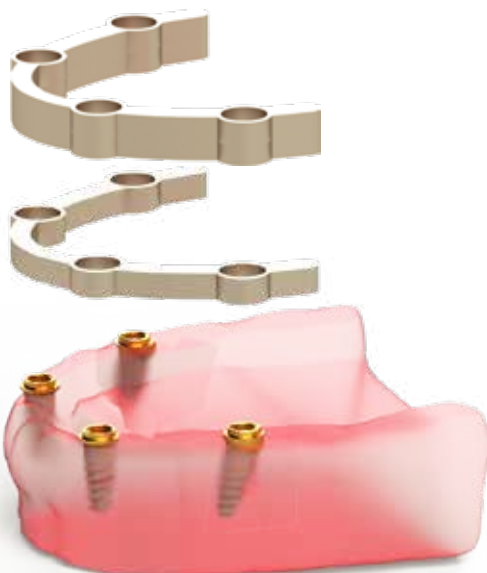
- 01** A carrier is used to facilitate easy insertion of the base into the implant. The base should be placed in the desired straight or angled orientation on top of the implant and then screwed into position using a screwdriver.



- 02** The base adapters are then screwed into the implant base. Scanbodies can then be attached to the adapters, at which point the apparatus is ready for intraoral scanning.



- 03** The milled bar that is received back from the laboratory is reflective of the scans taken, with a single hole aligned above the position and at the respective angle of each base in the implant.



- 04** To begin the final restoration process, the base adapters should be screwed onto the implant bases using a screwdriver.

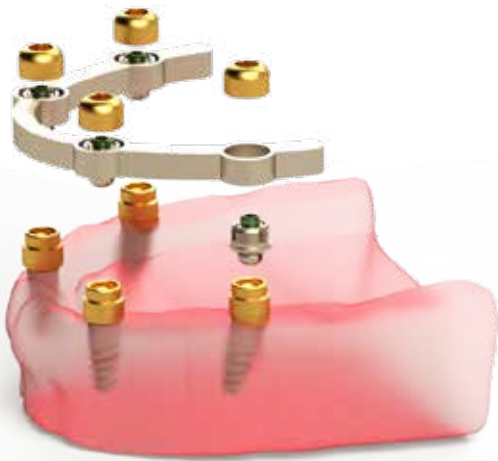


Clicq-Multi Base™ On X

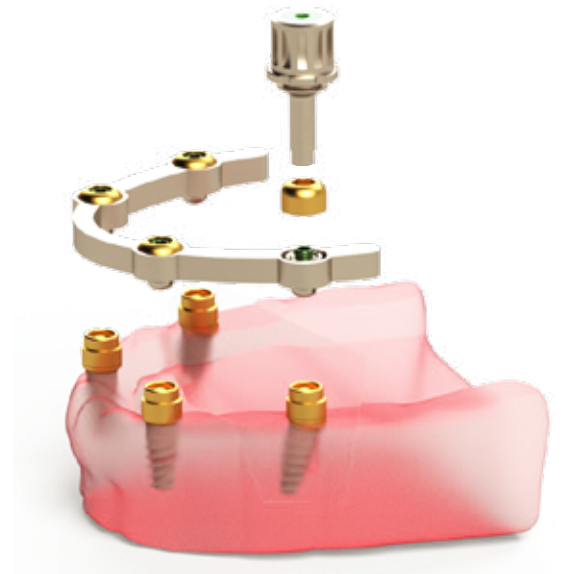
The intelligently designed adjustable adapter system for milled bar overdentures

Step by Step

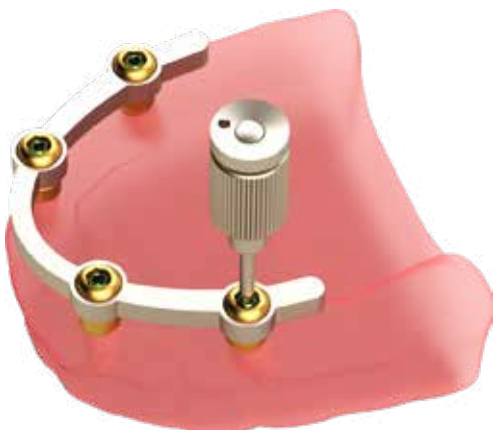
- 05** To attach the bar adapters to the overdenture bar, one ball attachment and one cap will be needed for each of the holes of the bar.



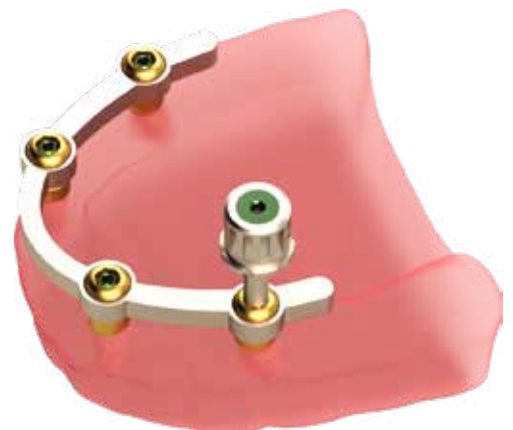
- 06** Place a ball attachment below a hole in the overdenture bar and a cap above the hole. Insert a 2.5mm hex screwdriver into the top of the cap and rotate twice so as to lightly attach the two parts but not tighten them entirely. This loose attachment is crucial, as it allows the ball mechanism to properly align the overdenture bar in the mouth, correcting any micro-defects in the positioning and angulation of the holes of the bar, which are a common result of the milling process. Repeat this step for each of the remaining holes of the bar.



- 07** Place the bar over the implant so that the bar and base adapters are aligned. Using a 1.25mm hex screwdriver, complete the fastening of the overdenture bar to the implants. When the green screw inside of the bar adapter is tightened, this will cause the ball mechanism that sits inside of the base to expand, securing the overdenture bar into place.



- 08** Once the overdenture bar is properly aligned, a final tightening with a 2.5 mm hex screwdriver will complete the restoration.



Clicq-Multi Base™ On X

The intelligently designed adjustable adapter system for milled bar overdentures

Step 05 to 08 by Section View



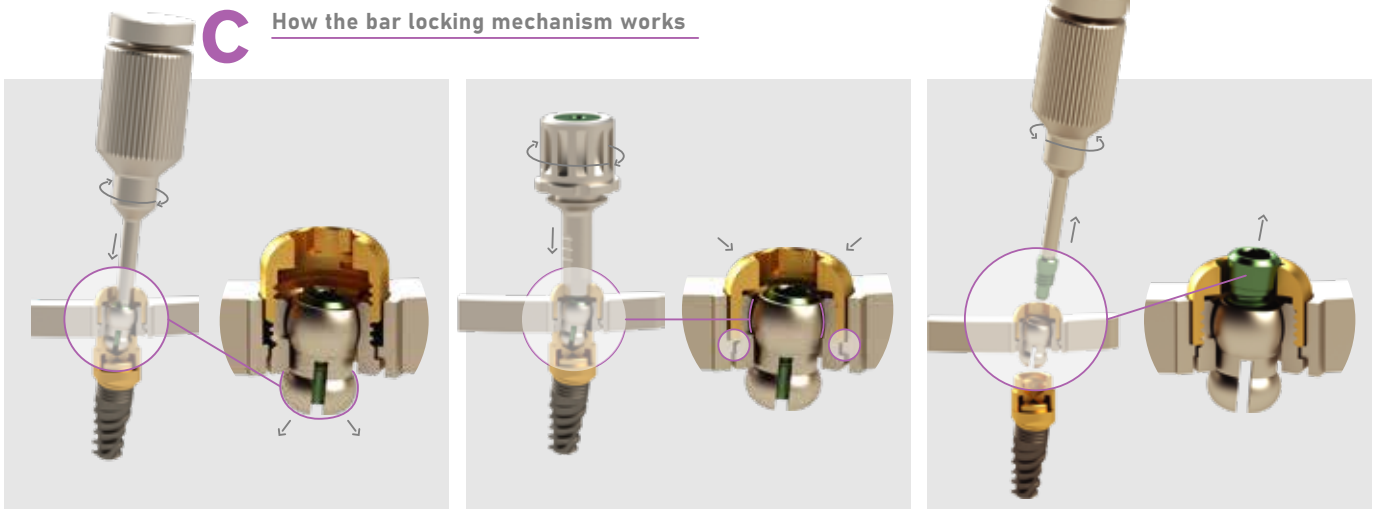
A The Clicq Multi-Base™ On X system is composed of three parts: the base adapter, which attaches directly to the implant base, and then the bar adapter and cap, which attach to the overdenture bar. The ball attachment, which is located on the underside of the bar adapter, is the expanding mechanism that is responsible for securing the overdenture bar to the implant in the correct position desired.

B To fasten the overdenture bar to the implant, a smaller 1.25mm hex screwdriver is first used to expand the internal ball mechanism and fix the two parts together. A larger 2.5mm hex screwdriver can then be used to lock the connection and stably secure the bar to the implant. The overdenture bar with its locked adapters can then be easily removed and inserted by loosening only the smaller connection with the 1.25mm driver.



The design of the Clicq Multi-Base™ On X's allows for an angulation correction of the overdenture bar to implant base connection up to 5°. This correction occurs after insertion and securing of the bar to the base. To remove the overdenture bar containing an angled connection, insert the 1.25mm driver into the screw at the same angle as the connection and loosen.

C How the bar locking mechanism works



A screwdriver is used to activate the ball-locking mechanism, fixing the base adapter to the overdenture bar.

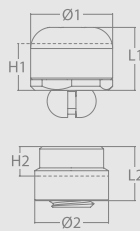
A larger screwdriver can then be used to tighten the bar adapter and lock it to the overdenture bar at a selected angulation. This locked position between adapter and bar is retained until the external system is unscrewed.

Once both screws have been tightened and the system has been locked, the angulation memory of the locking mechanism permits the overdenture bar to be easily removed from and inserted into the mouth using the smaller driver.

Clicq-Multi Base™ On-X

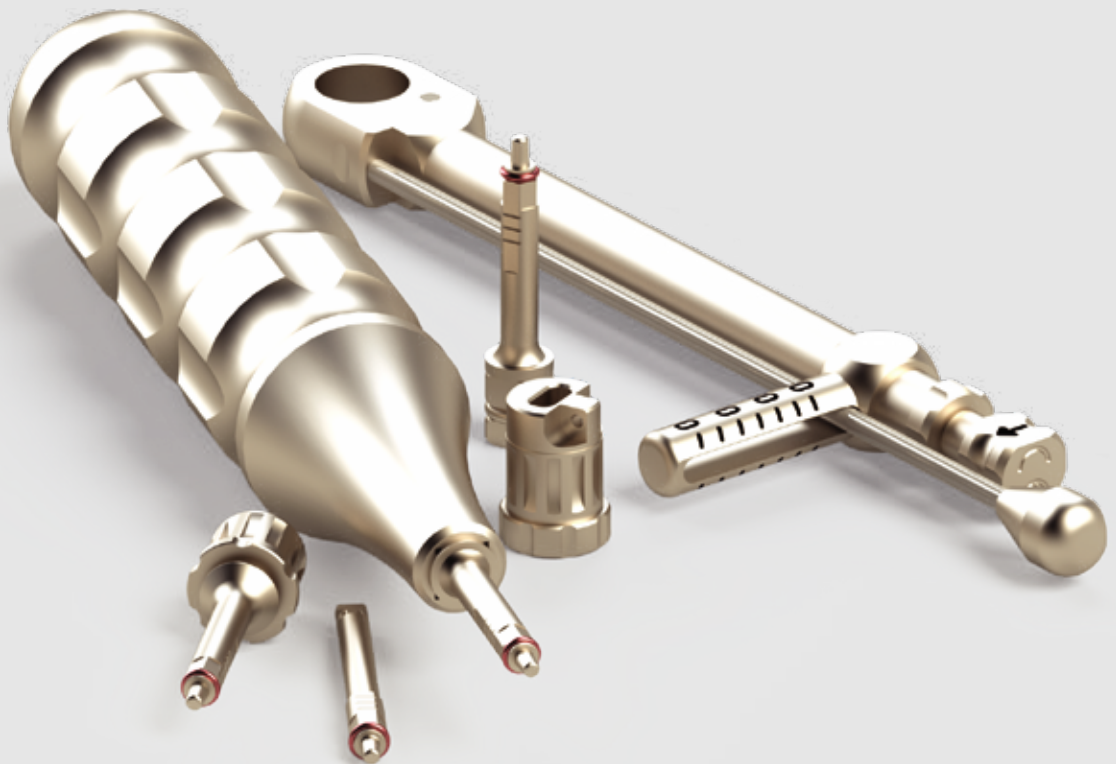


Clicq Multi Base™ Bar Adapter



L1/L2	3.85 mm / 3.3 mm
H1/H2	2.85 mm / 1.8mm
Ø1/Ø2	5 mm / 4.5mm
REF	TBK-BADPUG
Web ID	4510651

7



Surgical Instruments

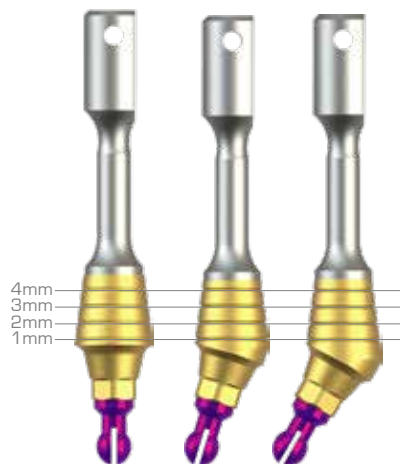
- Gauge Indicator Kit
- Surgical Tool Box
- Drills / Burs / Stoppers
- Implant Drivers
- Screwdrivers
- Ratchet / Ratchet Adapter / Parallel Pin

Gauge Indicators



Abutment Gauge Kit (3 PCS)

REF	AG-NA-NPK
Web ID	1120891-274
Abutment Gauge Straight	- 1 pcs
Abutment Gauge Angled 17°	- 1 pcs
Abutment Gauge Angled 30°	- 1 pcs



Abutment Gauge Straight

REF	AG-NA-NP00
Web ID	1120892-274

Abutment Gauge - 17°

REF	AG-NA-NP1700
Web ID	1120893-274

Abutment Gauge - 30°

REF	AG-NA-NP3000
Web ID	1120894-274

Surgical Tool Box

Components



Our surgical kits include a torque ratchet, unlike many other systems which provide you with a regular ratchet. Our kits also feature two sets of universal stoppers, which fit all drill diameters. Why two? First off, you don't have to take the stoppers on and off after each drilling, which saves time and is simply more convenient and safe. In addition, having two stopper sets allows you to have a backup; whether one gets misplaced or simply needs to be cleaned at the time of procedure, you'll always be able to move forward with your work. The drivers and drills in our kits are also color coded, which makes your work more organized and efficient. Our drills are coated with DLC, a wear-resistant, diamond-like carbon finish that enhances osteotomy drill control.



Surgical Tool Box - Artic

REF	RSB-AR-SK
Web ID	7870141

Implant Drivers

Ratchet Driver for Implant:

RDIO-NA-NPS
RDIO-NA-NPL
RDIO-NA-RPS
RDIO-NA-RPL

Motor Mount for Implant:

MDIO-NA-NPS
MDIO-NA-NPL
MDIO-NA-RPS
MDIO-NA-RPL

Screw Drivers

Ratchet Driver for Screw:

RDS-SV-S
RDS-SV-L

Motor Mount for Screw:

MDS-SV-L

Hand Driver for Screw:

HSDA-SV-S
HSDA-SV-L

Drills & Tools

Lance Drill:

LD-2.0-06

Drill Extender:

DEXT

Twist Step Drills:

TSD-2.4-15
TSD-2.7-15
TSD-3.1-15
TSD-3.7-15
TSD-4.4-15

Hard Bone Drills:

HBD-3.5
HBD-5.0

Stoppers for Twist Drills:

DSTD-13 *2
DSTD-11.5 *2
DSTD-10 *2
DSTD-8 *2

Parallel Pin:

PPN *3



Torque Ratchet 0-70 Ncm:

RT-70ST



Surgical Drills & Stoppers



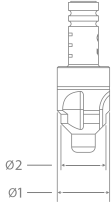


Drill Extender

	
L	12.8 mm
REF	DEXT
Web ID	7750111

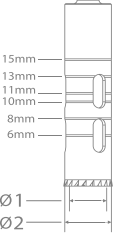


Lance Drill

	
L	6 mm
REF	LD-2.0-06
Web ID	7110421

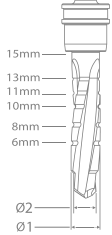





Hard Bone Drills

		
Ø1	3.5 mm	5.0 mm
Ø2	3.0 mm	4.2 mm
REF	HBD-3.5-3.0	HBD-5.0-4.2
Web ID	7110311	7110321

Trephine Burs

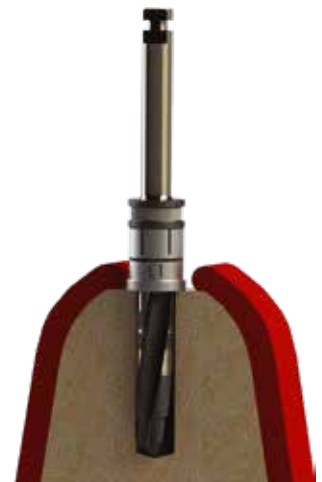
		
Ø1	3 mm	4 mm
Ø2	4 mm	5 mm
REF	TB-3.0-4.0	TB-4.0-5.0
Web ID	7110511	7110521

Twist Step Drills

					
Ø1	2.4mm	2.7mm	3.1mm	3.7mm	4.4mm
Ø2	2.0mm	2.4 mm	2.7 mm	3.1 mm	3.7 mm
REF	TSD-2.4-15	TSD-2.7-15	TSD-3.1-15	TSD-3.7-15	TSD-4.4-15
Web ID	7110611	7110621	7110631	7110641	7110651

Twist Step Drills

	For Implants in Lengths:			
	13mm	11.5mm	10mm	8mm
				
REF	DSTD-13	DSTD-11	DSTD-10	DSTD-8
Web ID	7110219	7110217	7110215	7110213

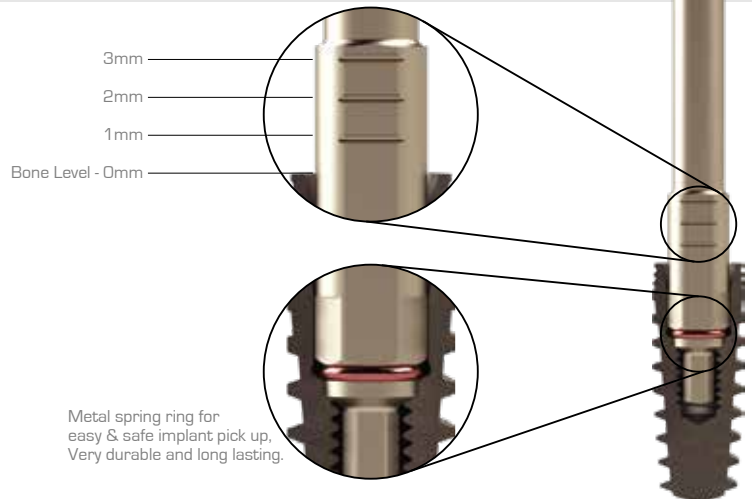


Implant Drivers



Motor Mount for Implant - Self Loading

	For Hex 2.25mm	
L	22 mm	28 mm
REF	MDIO-NA-NPS	MDIO-NA-NPL
Web ID	7520111-274	7520116-274



Ratchet Driver for Implant - Self Loading

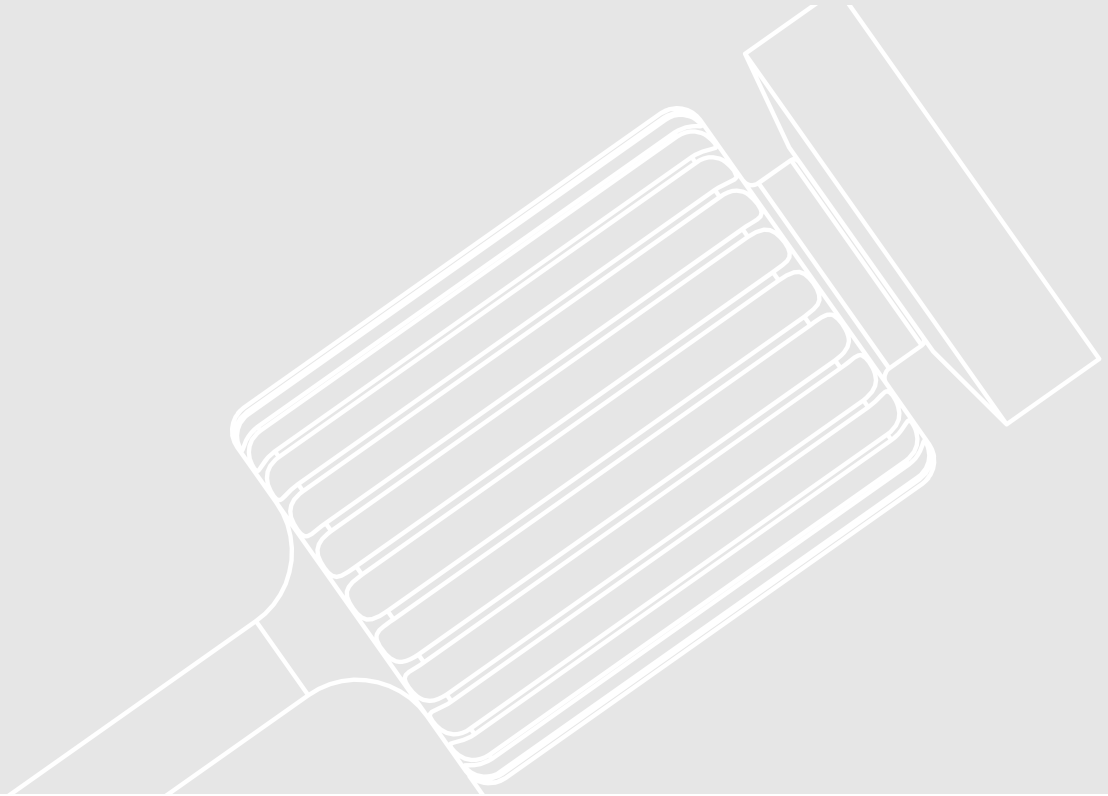
	For Hex 2.25mm	
L	12 mm	17 mm
REF	RDIO-NA-NPS	RDIO-NA-NPL
Web ID	7520123-274	7520126-274

Ratchet Driver for Implant - Self Loading

	For Hex 2.25mm	
L	12 mm	17 mm
REF	TDIO-NA-NPS	TDIO-NA-NPL
Web ID	7520131-274	7520133-274

* for HDR Hand Driver or Square Ratchet Driver

Screwdrivers



Hand Screwdriver

	1.25 mm		
L	10 mm	15 mm	30 mm
REF	HSDA-SV-S	HSDA-SV-L	HSDA-SV-XL
Web ID	7740121	7740123	7740126

Motor Mount for Screw

	1.25 mm	
L	22 mm	28 mm
REF	MDS-SV-S	MDS-SV-L
Web ID	7740151	7740153

Ratchet Driver for Screw

	1.25 mm	
L	12 mm	17 mm
REF	RDS-SV-S	RDS-SV-L
Web ID	7740173	7740176

Ratchet Driver for Screw - Self Loading

	1.25 mm	
L	12 mm	18 mm
REF	TDS-SV-S	TDS-SV-L
Web ID	7740191	7740193

• for HDR Hand Driver or Square Ratchet Driver

Ratchet / Ratchet Adapter / Parallel Pin



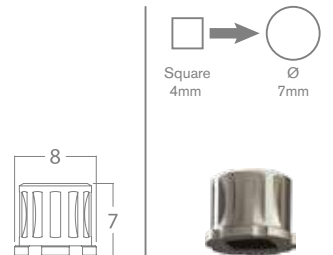
Torque Ratchet



● Torque Ratchet 0-70 Ncm
Black Marking, Ø - 7mm

REF	RT-70ST
Web ID	7750411

Ratchet Adapter



REF	TS-ADP-7
Web ID	7750185

Hand Driver suitable for Square Ratchet Driver

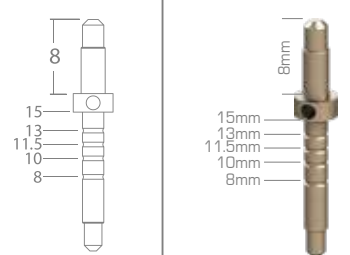


■ Square 4mm

Ratchet driver not Incd.

REF	HDR
Web ID	7750251

Parallel Pin Guide



REF	PPN
Web ID	7750141

 **Ritter Implants GmbH & Co. KG**

Freiburger Str. 45, 88400 Biberach, Germany
Tel: +49.7351.5292510

Headquarters: Edison Medical
4310 West Avenue, San Antonio, TX 78213, USA
Tel: +1.210.9793389 | edisonmed.com

